

# TRAY BLAST CHILLERS INFINITY



**INFINITY 5T**



**INFINITY 10T**

## CHARACTERISTICS AND FUNCTIONS

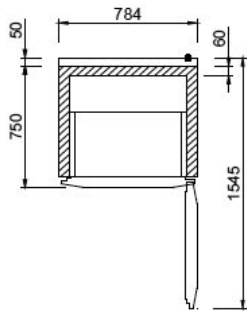
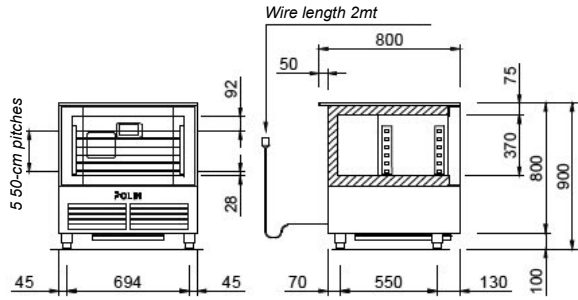
- Circulation of air inside the cell
- Structure of the unit in AISI 304 stainless steel
- External finish in Scotch-brite satin
- Isolated with high density polyurethane foam (43kg/m3)
- Adjustable stainless steel feet
- Cells with rounded internal corners
- Rack and guides for holding easily removable and individually washable 60X40 trays.
- Door with spring return and removable magnetic seal
- Fan block system when door is open
- Easy access to the evaporator unit for easy cleaning
- Temperature probe with internal heating
- Conforms to HACCP
- Waste drain

## OPTIONAL

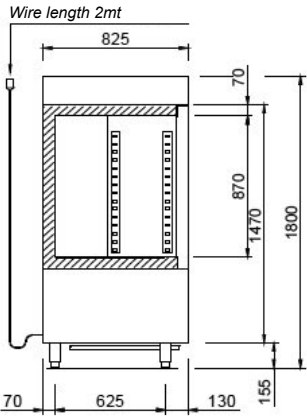
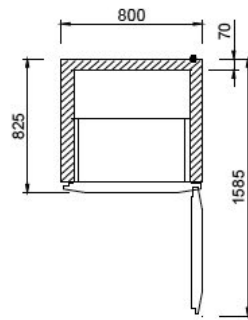
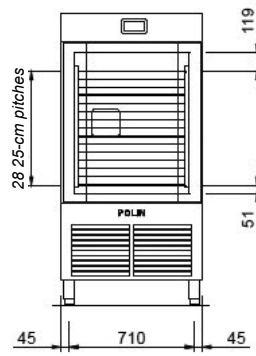
- Pair of tray guides INOX blast chillers 4060
- Antibacterial lamp kit
- Temperature probe with internal heating
- USB kit
- 60x40 Stainless steel grid without stop
- 2+2 wheel kit diameter 80 in stainless steel
- Blast chiller filter
- Cooling by water unit

BLAST CHILLERS		Number of doors			Temperature range			Capacity of pairs of tray guides			Power supply			Defrosting			Number of pairs of tray guides			Weight (Kg)			Absorbed Power (kW)			Absorption (A)			Refrigerating Power (kW)			Installed rated Power (HP)			
Width (mm)	Depth (mm)	Height (mm)	Kg of product per cycle from +90° to +3° in 90 minutes			Kg of product per cycle from +90° to -18° in 240 minutes			Freezing capacity in Kgs/h from +30°C to -18°C to the heart			Power supply			Defrosting			Number of pairs of tray guides			Weight (Kg)			Absorbed Power (kW)			Absorption (A)			Refrigerating Power (kW)			Installed rated Power (HP)		
784	800	900	20	15	7	6	230/1/50+N	HOT GAS			5	125	58	1,05	5	0,95	1																		
800	825	1800	40	30	15	15	400/3/50+N	HOT GAS			10	190	68	2,5	3,6	2,08	1,8																		
800	825	2025	55	40	21	19	400/3/50+N	HOT GAS			15	220	69	3,0	5,2	2,43	2																		

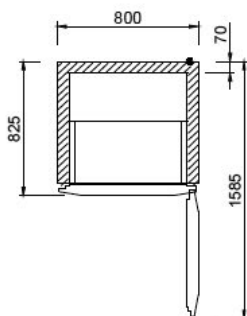
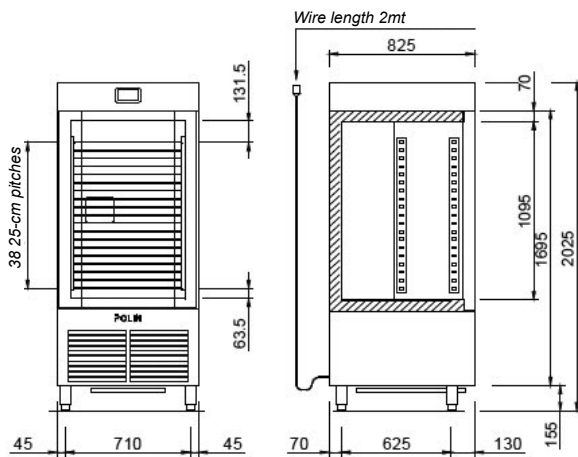




**AVANT INFINITY 5T**  
 +90°C -18°C  
*at the heart*



**AVANT INFINITY 10T**  
 +90°C -18°C  
*at the heart*



**AVANT INFINITY 15T**  
 +90°C -18°C  
*at the heart*

