

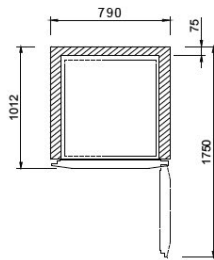
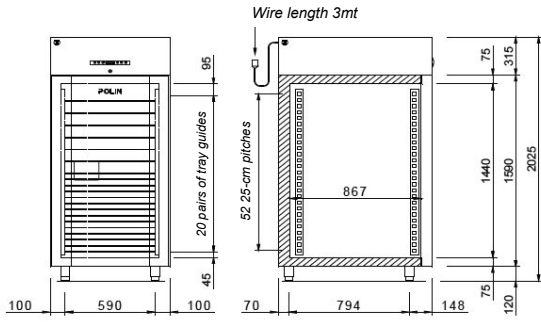
# PASTRY AVANT STORAGE CABINETS



## FEATURES

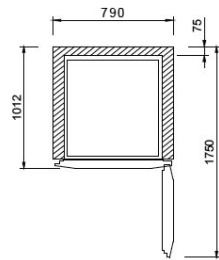
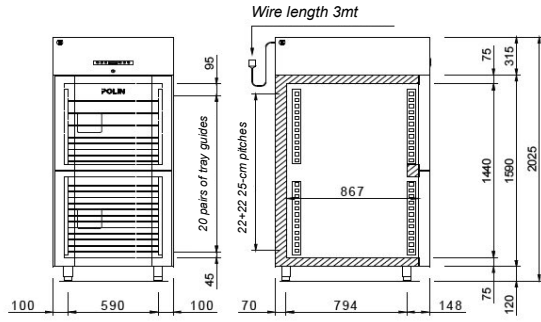
- Stainless steel structure with external finish in scotch-brite satin
- Isolated with 75mm of high density polyurethane foam (40kg/m<sup>3</sup>)
- Adjustable feet in stainless steel (h120-150)
- Rounded internal corners to facilitate cleaning
- Racks and guides in stainless steel
- Automatic defrosting and evaporation of condensed water
- Standard low temperature compensation valve
- Patented single-piece refrigeration unit
- Refrigeration unit adapted for use in tropical conditions (high performance in environments up to 43°C)
- INTELLI electronic circuit with LCD display allowing for the monitoring of parameters according to HACCP norms
- Removable guides which can be relocated as needed
- Possibility to adjust hygrometric parameters (TN versions)

	AVANT 6080 TN	AVANT 6080 BT	AVANT 6080 BT	AVANT 6080 PRALINERIA PRELINERY	AVANT 6040 TN	AVANT 6040 BT
<i>Energy class</i>	C	D		C	D	D
<i>Number of doors</i>	1		2	1	1	1
<i>Width (mm)</i>	790					
<i>Depth (mm)</i>	1012			822		
<i>Height (mm)</i>	2025					
<i>Temperature range</i>	-2° C / +8° C	-20° C / -10° C	-20° C / -10° C	+4° C / +18° C	-2° C / +8° C	-20° C / -10° C
<i>Humidity control</i>	SI	NO	NO	SI	SI	NO
<i>Power supply</i>	230/1/50+N					
<i>Defrosting</i>	GAS CALDO					
<i>Number of pairs of tray guides</i>	20					
<i>Weight (Kg)</i>	152			140		
<i>dbA</i>	53	61		53	53	61
<i>Absorbed Power (kW)</i>	0,33	0,70		0,33	0,19	0,58
<i>Absorption (A)</i>	2,3	5,7		2,3	1,9	4
<i>Refrigerating Power (kW)</i>	0,55	0,72		0,55	0,55	0,61



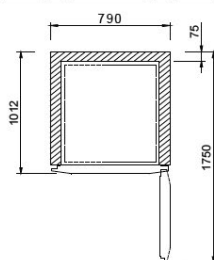
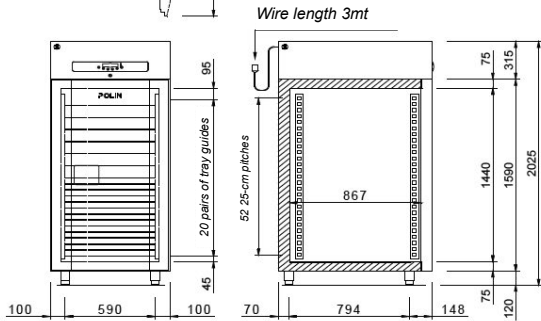
Wire length 3m

**PAstry AVANT 60/80**  
 TN -2°C +8°C  
 BT -20°C -10°C



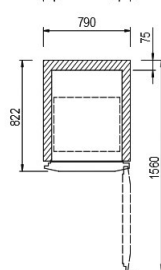
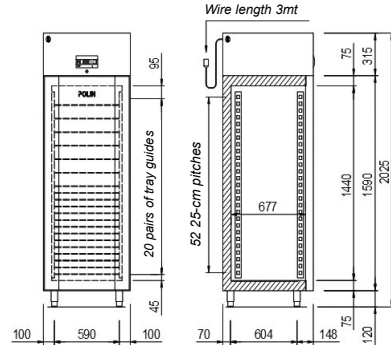
Wire length 3m

**PAstry AVANT 60/80 2P**  
 BT -20°C -10°C



Wire length 3m

**PRELINERY +4°C +18°C**



Wire length 3m

**PAstry AVANT 60/40**  
 TN -2°C +8°C  
 BT -20°C -10°C

