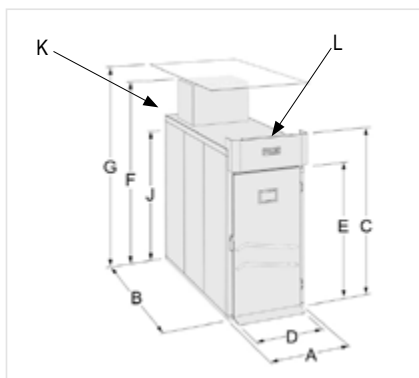


# PROOFER CABINETS AVANT



(C) 2520 mm - (F) 3100 mm - (G) 3100 mm

**TECHNICAL SPECIFICATIONS FOR INSTALLATION**

MINIMUM WIDTH =  $A + 50 \text{ mm}$  / MINIMUM DEPTH =  $B + 100 \text{ mm}$   
 MINIMUM HEIGHT FOR INSTALLATION = PLEASE SEE BOTTOM OF THE DRAWING

K = PLACEMENT OF THE WATER OUTLET AND INLET DUCTS

**WATER INLET**

HEIGHT: 250 cm

SECTION: 1/2 WITH BALL VALVE AND PRESSURE REDUCER

**WATER OUTLET**

HEIGHT: 20 cm MAXIMUM

SECTION: DIAM. 32 (THE CABINET IS SUPPLIED WITH DRAIN HOSE, DIAM. 32)

L = PLACEMENT OF POWER SUPPLY INPUT

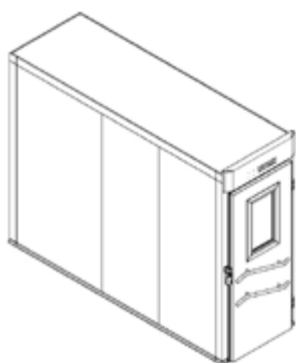
HEIGHT: 250 cm

SECTION: 2,5 MMQ. IF DISTANCE BETWEEN CABINET AND MAIN SWITCH IS LESS THAN 15 MT

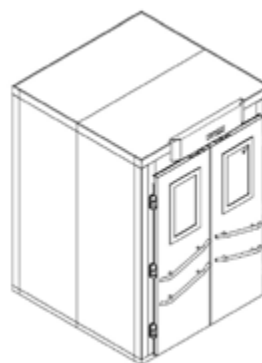
STRUCTURE	
Panels	<i>Isothermal (Insulated)</i>
Insulation type	<i>Poliurethane foam injected at high density</i>
Insulation density	<i>42 Kgs/mc</i>
Insulation thickness	<i>80 mm</i>
Panels' connection	<i>Dual action eccentric hooks</i>
Inner panels' corners	<i>Entirely rounded</i>
Inner panels' base corners	<i>Rounded, injected in the floor</i>
Inner surface	<i>Rounded with PVC profiles</i>
Outer surface	<i>st/st AISI 304</i>
Ceiling outer surface	<i>Lamplast panels, gray color</i>
Rack-bumper on inner perimeter	<i>st/st AISI 304</i>
Window to inspect the product	<i>N° 1 for door</i>
Rack-bumper on inner perimeter	<i>st/st AISI 304</i>
HINGES	
Finishing	<i>Painted, with plastic cover</i>
Self-lifting	<i>To ease the opening and prevent seal wearing</i>
CLOSING SYSTEM	
Mechanism type	<i>Self-closing system (with gas piston)</i>
Handle type	<i>Ergonomic, on door width</i>
Safety opening	<i>Push</i>
AIR DISTRIBUTION	
Flow features	<i>Single-direction with ejection outside product</i>
Horizontal channels	<i>Missing</i>
Vertical channels	<i>Missing</i>
HUMIDITY AND HEATING UNIT	
Structure	<i>st/st AISI 304</i>
Moistening	<i>With submerged armored electric elements</i>
Heating	<i>with armored electric elements</i>
Control / level adjustment	<i>Dedicated electronic card</i>
Humidity range	<i>20% - 99%</i>
Temperature range	<i>Room temperature ÷ +42°C</i>
CONTROL PANEL	
Temperature sensor	<i>Electronic</i>
Humidity sensor	<i>Electronic</i>
Electric board	<i>In compliance with actual rules</i>
Control and display system	<i>Above door with dedicated card</i>
Inner lighth	<i>LED lamps</i>
OPERATION AND PROGRAMS	
Programs	<i>Manual + automatic start, to set day by day</i>
Alarms display	<i>Audible and visual signal with identification code on the display</i>
Alarms log	<i>N°1</i>

TYPE	Overall width A	Overall length B	Useful width	Useful length	Number of doors	Door clearance	Roto racks capacity						Loaders capacity			Power consumption (max)	
							4060	4666	4676	6065	6080	80100	80120	64x230 (L=170)	64x274 (L=214)		64x318 (L=256)
119x139	1190	1390	960	1020	1	960	2	1	1	1	1	1	--	--	--	5,4	
119x159	1190	1590	960	1220	1	960	3	2	2	1	1	1	--	--	--	5,4	
119x179	1190	1790	960	1420	1	960	4	2	2	2	2	1	1	--	--	5,4	
119x199	1190	1990	960	1620	1	960	4	3	3	2	2	1	1	--	--	5,4	
119x219	1190	2190	960	1820	1	960	5	3	3	2	2	1	1	--	--	5,4	
119x239	1190	2390	960	2020	1	960	6	3	3	3	3	1	1	--	--	5,4	
119x259	1190	2590	960	2220	1	960	6	4	4	3	3	2	1	--	--	5,4	
119x279	1190	2790	960	2420	1	960	7	4	4	3	3	2	1	1	--	5,4	
119x299	1190	2990	960	2620	1	960	8	5	5	3	3	2	2	1	--	5,4	
119x319	1190	3190	960	3820	1	960	8	5	5	4	4	2	2	1	1	--	5,4
119x339	1190	3390	960	3020	1	960	9	5	5	4	4	2	2	1	1	--	5,4
119x359	1190	3590	960	3220	1	960	10	6	6	4	4	3	2	1	1	1	5,4
139x139	1390	1390	1160	1020	1	1160	2	2	2	1	1	1	--	--	--	5,4	
139x159	1390	1590	1160	1220	1	1160	4	2	2	1	1	1	--	--	--	5,4	
139x179	1390	1790	1160	1420	1	1160	4	4	3	2	2	1	1	--	--	5,4	
139x199	1390	1990	1160	1620	1	1160	5	4	4	2	2	1	1	--	--	5,4	
139x219	1390	2190	1160	1820	1	1160	6	4	4	2	2	2	1	--	--	5,4	
139x239	1390	2390	1160	2020	1	1160	7	6	5	3	3	2	1	--	--	5,4	
139x259	1390	2590	1160	2220	1	1160	8	6	5	3	3	2	1	--	--	5,4	
139x279	1390	2790	1160	2420	1	1160	8	6	6	3	3	2	1	1	--	5,4	
139x299	1390	2990	1160	2620	1	1160	8	7	6	3	3	3	2	1	--	5,4	
139x319	1390	3190	1160	3820	1	1160	9	8	7	4	4	3	2	1	1	--	5,4
139x339	1390	3390	1160	3020	1	1160	10	8	7	4	4	3	2	1	1	--	5,4
139x359	1390	3590	1160	3220	1	1160	12	9	8	4	4	3	2	1	1	1	5,4
179x139	1790	1390	1400	1020	2	1400	4	4	2	2	2	1	1	--	--	5,4	
179x159	1790	1590	1400	1220	2	1400	5	4	2	2	2	1	1	--	--	5,4	
179x179	1790	1790	1400	1420	2	1400	6	4	4	4	2	1	1	--	--	5,4	
179x199	1790	1990	1400	1620	2	1400	7	6	5	4	4	1	1	--	--	5,4	
179x219	1790	2190	1400	1820	2	1400	9	6	5	6	4	1	1	--	--	5,4	
179x239	1790	2390	1400	2020	2	1400	9	6	6	6	4	2	1	--	--	5,4	
179x259	1790	2590	1400	2220	2	1400	10	8	6	6	4	2	1	--	--	5,4	
179x279	1790	2790	1400	2420	2	1400	11	8	8	6	5	2	2	2	--	11,0	
179x299	1790	2990	1400	2620	2	1400	12	10	8	8	6	2	2	2	--	11,0	
179x319	1790	3190	1400	3820	2	1400	13	10	8	8	6	2	2	2	2	--	11,0
179x339	1790	3390	1400	3020	2	1400	14	10	9	8	7	3	2	2	2	--	11,0
179x359	1790	3590	1400	3220	2	1400	15	12	10	10	8	3	2	2	2	2	11,0

TYPE	Overall width A	Overall length B	Useful width	Useful length	Number of doors	Room useful width	Roto racks capacity						Loaders capacity			Power consumption (max) kW	
							4060	4666	4676	6065	6080	80100	80120	64x230 (L=170)	64x274 (L=214)		64x318 (L=258)
	mm	mm	mm	mm		mm											
199x139	1990	1390	1600	1020	2	1600	5	3	3	2	2	1	1	--	--	--	5,4
199x159	1990	1590	1600	1220	2	1600	5	5	4	2	2	1	1	--	--	--	5,4
199x179	1990	1790	1600	1420	2	1600	6	6	5	4	2	1	1	--	--	--	5,4
199x199	1990	1990	1600	1620	2	1600	7	6	6	4	4	1	1	--	--	--	5,4
199x219	1990	2190	1600	1820	2	1600	8	7	7	4	4	2	2	--	--	--	5,4
199x239	1990	2390	1600	2020	2	1600	9	8	7	6	4	2	2	--	--	--	5,4
199x259	1990	2590	1600	2220	2	1600	10	19	8	6	5	2	2	--	--	--	5,4
199x279	1990	2790	1600	2420	2	1600	10	10	9	6	5	2	2	2	--	--	11,0
199x299	1990	2990	1600	2620	2	1600	12	10	9	8	6	3	3	2	--	--	11,0
199x319	1990	3190	1600	3820	2	1600	13	12	10	8	7	3	3	2	2	--	11,0
199x339	1990	3390	1600	3020	2	1600	14	12	10	8	8	3	3	2	2	--	11,0
199x359	1990	3590	1600	3220	2	1600	15	13	12	8	8	3	3	2	2	2	11,0
219x139	2190	1390	1800	1020	2	1800	5	4	4	2	2	2	1	--	--	--	5,4
219x159	2190	1590	1800	1220	2	1800	6	5	4	4	2	2	2	--	--	--	5,4
219x179	2190	1790	1800	1420	2	1800	8	6	5	4	4	2	2	--	--	--	5,4
219x199	2190	1990	1800	1620	2	1800	8	7	6	4	4	2	2	--	--	--	5,4
219x219	2190	2190	1800	1820	2	1800	9	7	7	4	4	2	2	--	--	--	5,4
219x239	2190	2390	1800	2020	2	1800	11	10	7	6	6	4	2	--	--	--	5,4
219x259	2190	2590	1800	2220	2	1800	13	10	8	6	6	4	3	--	--	--	5,4
219x279	2190	2790	1800	2420	2	1800	14	11	9	6	6	4	4	2	--	--	11,0
219x299	2190	2990	1800	2620	2	1800	16	13	11	8	6	4	4	2	--	--	11,0
219x319	2190	3190	1800	3820	2	1800	16	13	12	8	8	4	4	2	2	--	11,0
219x339	2190	3390	1800	3020	2	1800	17	15	12	8	8	4	4	2	2	--	11,0
219x359	2190	3590	1800	3220	2	1800	19	16	14	8	8	6	4	2	2	2	11,0



Cabinet height = 2310 mm.  
Cabinet height (with power board) = 2580 mm



Cabinet height = 2310 mm.  
Cabinet height (with power board) = 2580 mm