

MULTIDROP TIPO C

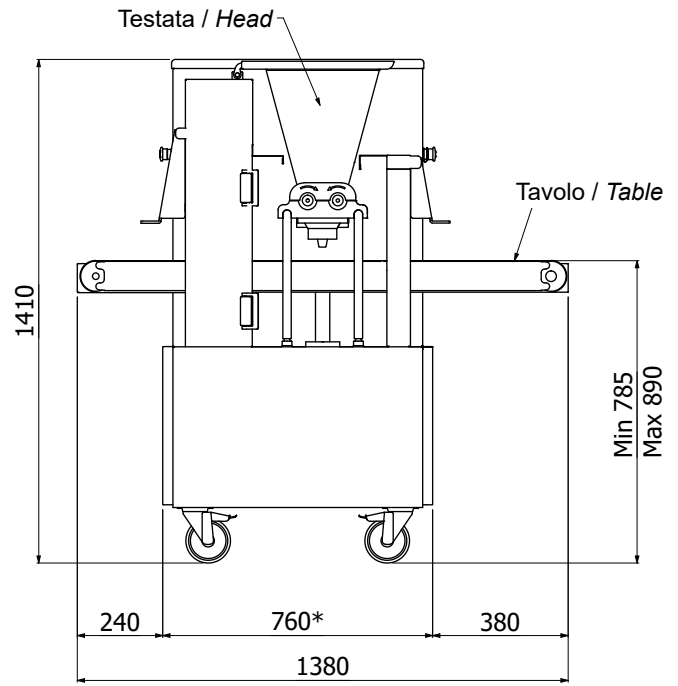
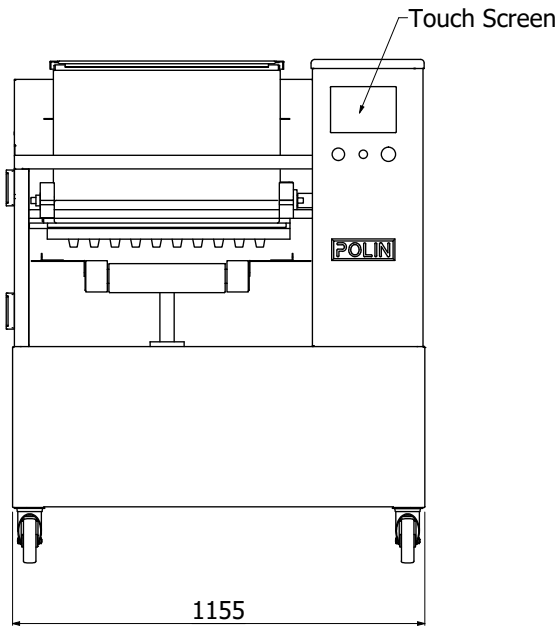


Multidrop is a multi-purpose depositor machine.

Computer touch screen is suitable to create a huge range of biscuits, butter cookies, shortbread, lady fingers, genoise puff creams, and many other products.

ALL MACHINES ARE EQUIPPED WITH:

- s/s frame and brake castors
- easily detachable table
- hard dough head hdd with stainless steel rollers, aluminum built-in head shoulders and plastic bushes (only for mtr/fcc e mtr/fcp)
- soft dough head (only for mtr/fcm)
- head easy to disassemble and wash
- hard and soft dough heads are allowed to be fitted according with different kinds of products
- touch screen computer with capacitive graphic colour display tft 7" 800x480 pixel
- "CE" compliance certificate



	Trays size		Hopper capacity	Strokes		Tension	Power	Weight
	Width	Max. Length		Depositor	Wire cut			
	mm	mm	l	n°/min.	n°/min.	Volt	kW	Kg
TIPO C 4046	400-460	800	35	25	32	400/3N~/50	0,6	210
TIPO C 6066	600-660	800	50	25	32	400/3N~/50	0,6	210

Max strokes/min. related to average 1 sec. rollers head rotation