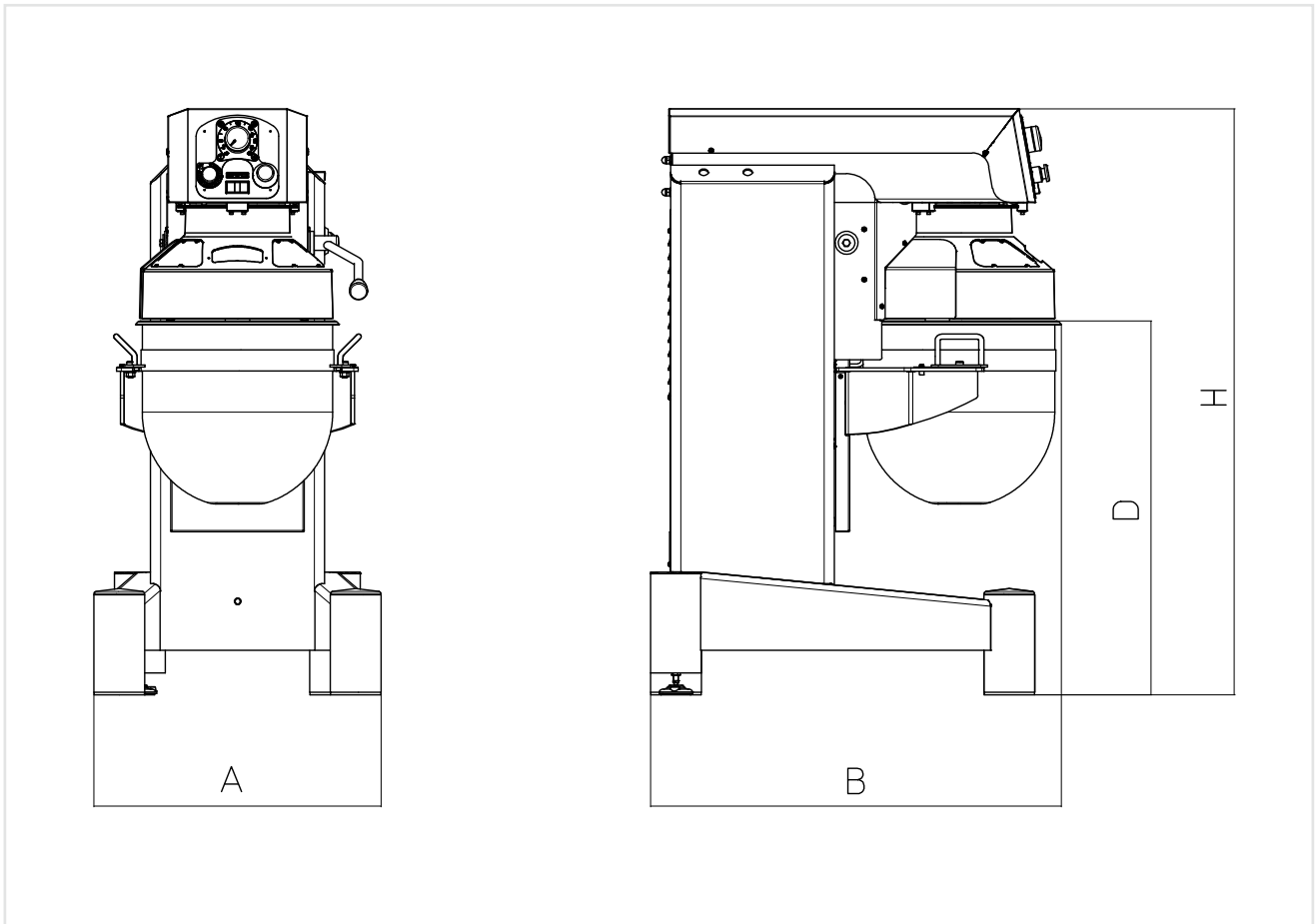


PLANETARY MIXERS - KING 60



- Heavy duty steel stove painted structure (optional INOX)
- Standard colour: grey RAL 9007
- More powerful motors than the standard ones (3V: 2,2 kW - I/ D / T: 3 kW)
- Manual tank lift (optional automatic)
- Safety protection grid and top cover made by stainless steel.
- Adjustable foot that improve the stability
- Tool extraction without remove the bowl
- Power consumption has been reduced thanks to a high performance belts' transmission able to maximize the power of the motor
- Standard: whisk, spatula and spiral



MODELLO MODEL		VASCA Bowl Lt.	VELOCITÀ Speed rpm/1'	POTENZA Power kW	DIMENSIONI Dimensions mm				PESO Weight kg	TENSIONE Voltage
					A	B	D	H		
KING 60	3V	60	125 - 250 - 500	2,2	695	980	895	1400	250	V400/3~/50Hz
	I / D / T		100 ÷ 550	3						

