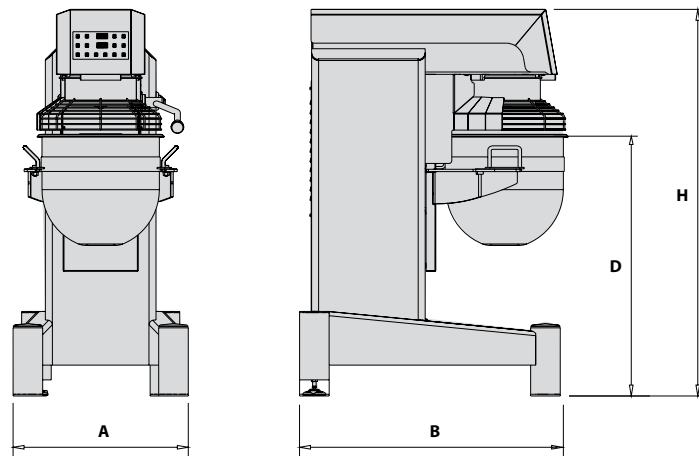


PLANETARY MIXERS - KING 80 EVO



- 3 speeds adjustment
- Speed adjustment by potentiometer
- New frame optimized to guarantee the biggest ergonomics in the less possible space occupied
- Standard colour: grey RAL 9007
- Painted steel yellow colour top cover
- Manual tank lift
- Safety protection grid and top cover made by stainless steel.
- Adjustable foot that improve the stability
- Bowl extraction without remove the tool
- Very powerful motor able to high performance to satisfy also the most exigent customer
- Belts transmission, very noiseless and free of maintenance
- Standard: whisk, spatula and spiral



MODELLO MODEL		VASCA Bowl Lt.	VELOCITÀ Speed rpm/1'	POTENZA Power kW	DIMENSIONI Dimensions mm				PESO Weight kg	TENSIONE Voltage
					A	B	D	H		
KING evo 80	3V	80	130 - 280 - 550	2,2	685	945	985	1400	250	V400/3~/50Hz
	I		100 ÷ 550	3						