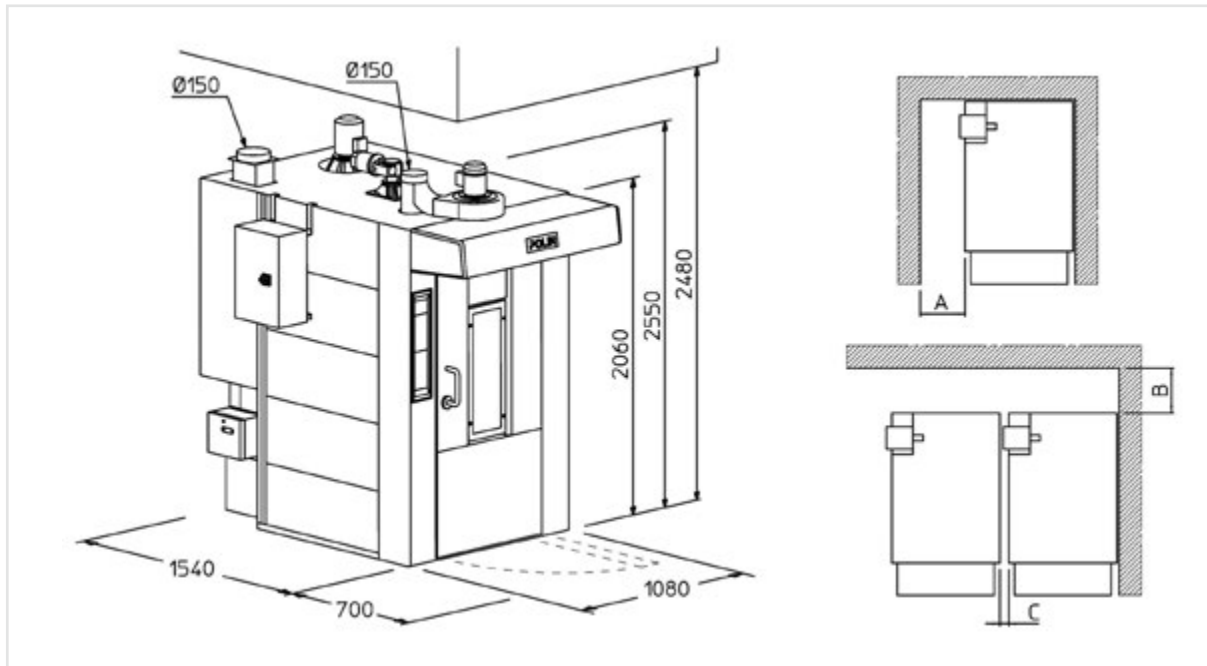


# POCKET 4666



- Hood with exhaust fan.
- Door with double glass.
- Heat exchanger with heating elements.(SE)
- Standard rotation device with hook (for ergonomic reasons it's recommended for racks up to 100 kg full load).
- Electric board with extended cables to hang it on oven's sides.
- Option: steamer with liter-counter
- Auto power
- Circuit fumes separated from the air cooking (SC)

POWER INLET	400/3N~/50
FUMES DISCHARGE	Diam 150 mm
STEAM EXHAUST	Diam 150 mm



	Pan capacity		Pan size	Minimum door width	Weight	SC Version		SE Version
	n°	passo	mm	mm		kg	kW	kcal/h
<b>POCKET 4666</b>	15÷18	97÷81	460x660	500	850	1,6	45.000	35,9