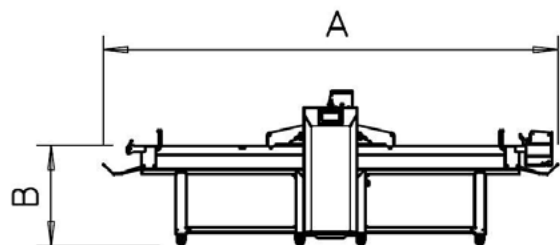


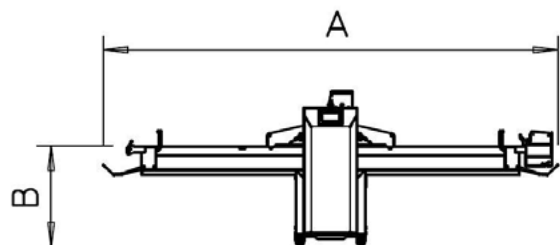
SEMI-AUTOMATIC SHEETERS MAN TRONIC



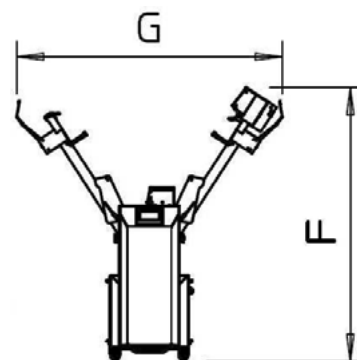
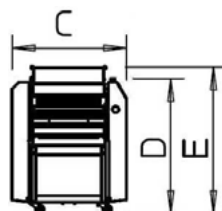
- Heavy duty steel stove painted structure (optional INOX)
- Standard colour: grey RAL 9007
- Mounted on the same frame and mechanical of the bigger fully automatic sister, the QMT sheeter offer a great reliability and absolutely lamination precision
- The belts inversion happen through a practical balancer or through a pedal board
- The lamination programming is entire managed through the 5" touch screen with the possibility of memorize till 100 recipes
- The opening and closing cylinders system made through two screws in bain of oil assure an high precisions lamination till one tenth of millimeter also with stiff dough
- Frontal and back covers made in steel stove painted (no plastic parts) assembled from the top and fixed with screws avoid that the flour enter inside the mechanical parts of the machine and damage them
- Very noiseless thanks to the trapezoidal and toothed belts transmission
- Optional: automatic flour duster and coiler



MAN TRONIC 1600 - 1800



MAN TRONIC 1200 - 1400



	Belts dimensions	Speed	Cylinder opening	Power	Voltage	Dimensions							Weight						
						mm	m/min.	mm	kW	V~/Hz	mm							Kg	
											A	B		C	D	E	F		G
TRONIC PLUS TRONIC MAN TRONIC	654/2000	10÷60	0÷60	2,1	400/3~/50	4530	870	1045	1230	1340	-	-	370						
	654/1800	10÷60	0÷60	2,1	400/3~/50	4130	870	1045	1230	1340	-	-	370						
	654/1600	10÷60	0÷60	2,1	400/3~/50	3730	870	1045	1230	1340	-	-	370						
	654/1400	10÷60	0÷60	2,1	400/3~/50	3330	870	1045	1230	1340	2190	2185	370						
	654/1200	10÷60	0÷60	2,1	400/3~/50	2930	870	1045	1230	1340	2025	1965	370						
QA600 QS600	584/1500	10÷45	0÷50	0,75	400/3~/50	3485	870	1015	1345	1445	2430	1355	220						
	584/1400	10÷45	0÷50	0,75	400/3~/50	3285	870	1015	1345	1445	2335	1290	220						
	584/1300	10÷45	0÷50	0,75	400/3~/50	3085	870	1015	1345	1445	2245	1225	220						
	584/1200	10÷45	0÷50	0,75	400/3~/50	2885	870	1015	1345	1445	2150	1160	220						
	584/1000	10÷45	0÷50	0,75	400/3~/50	2485	870	1015	1345	1445	1960	1030	220						
Q670	654/2000	35	0÷60	1,5	400/3~/50	4530	870	1170	1340	-	-	270							
	654/1800	35	0÷60	1,5	400/3~/50	4130	870	1170	1340	2530	2630	270							
	654/1600	35	0÷60	1,5	400/3~/50	3730	870	1170	1340	2360	2405	270							
	654/1400	35	0÷60	1,5	400/3~/50	3330	870	1170	1230	2190	2185	270							
	654/1200	35	0÷60	1,5	400/3~/50	2930	870	1170	1230	2025	1965	270							
Q600	584/1500	35	0÷50	0,75	400/3~/50	3485	870	1050	1250	2250	1205	190							
	584/1400	35	0÷50	0,75	400/3~/50	3285	870	1050	1250	2150	1140	190							
	584/1300	35	0÷50	0,75	400/3~/50	3085	870	1050	1250	2060	1075	190							
	584/1200	35	0÷50	0,75	400/3~/50	2885	870	1050	1250	1965	1010	190							
	584/1000	35	0÷50	0,75	400/3~/50	2485	870	1050	1250	1775	880	190							
Q500	488/1200	35	0÷40	0,55	400/3~/50	2855	850	865	1315	1960	800	160							
	488/1000	35	0÷40	0,55	400/3~/50	2455	850	865	1315	1765	720	160							
	488/900	35	0÷40	0,55	400/3~/50	2255	850	865	1315	1665	680	160							
	488/800	35	0÷40	0,55	400/3~/50	2055	850	865	1315	1565	645	160							
	488/700	35	0÷40	0,55	400/3~/50	1855	850	865	1315	1470	605	160							
Q50S	488/800	35	0÷40	0,55	400/3~/50	2055	850	865	1315	1550	775	115							
	488/700	35	0÷40	0,55	400/3~/50	1855	850	865	1315	1455	720	115							
Q50B	488/800	35	0÷40	0,55	400/3~/50	1700	165	865	630	845	785	115							
	488/700	35	0÷40	0,55	400/3~/50	1500	165	865	630	750	785	115							