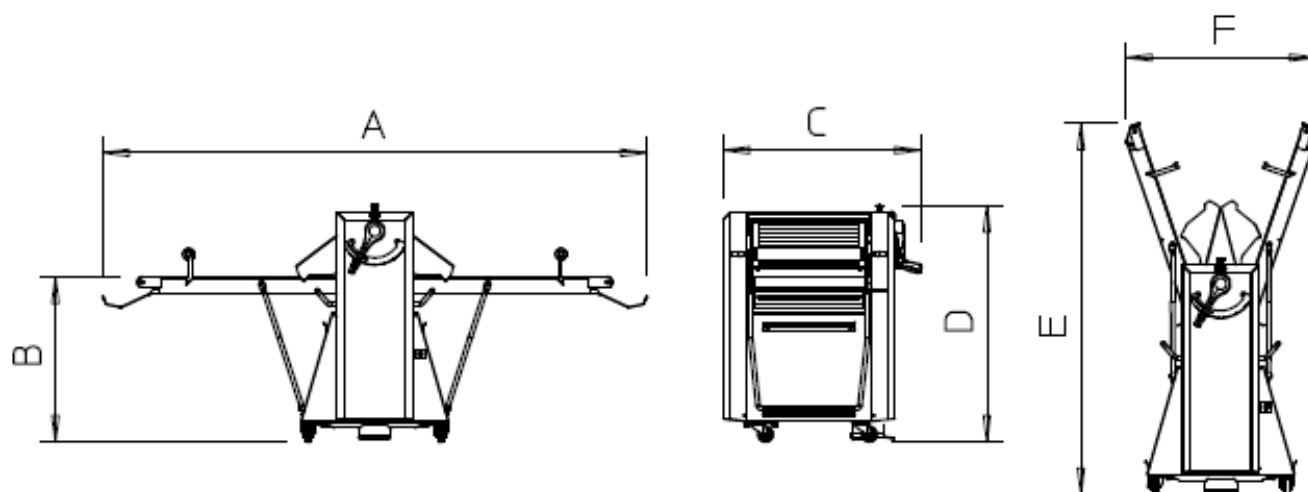


MANUAL SHEETER QUEEN 500



- Heavy duty steel stove painted structure
- Standard colour: grey RAL 9007
- Safety protection grids
- Under tables and collection flour tray made in stainless steel AISI 304 are standard
- The frontal and back covers are assembled on the machine structure from the top and screwed in order to avoid the possibility that the flour enter inside the machine and damage the transmission
- Belts inversion easy and fast made by comfortable Joystick control placed on the head of the machine or through comfortable foot control always standard
- Foldable tables to optimize the occupation space when machine is not in use



	Belts dimensions	Speed	Cylinder opening	Power	Voltage	Dimensions							Weight						
						mm	m/min.	mm	kW	V~/Hz	mm							Kg	
											A	B		C	D	E	F		G
TRONIC PLUS TRONIC MAN TRONIC	654/2000	10÷60	0÷60	2,1	400/3~/50	4530	870	1045	1230	1340	2690	2850	370						
	654/1800	10÷60	0÷60	2,1	400/3~/50	4130	870	1045	1230	1340	2530	2630	370						
	654/1600	10÷60	0÷60	2,1	400/3~/50	3730	870	1045	1230	1340	2360	2405	370						
	654/1400	10÷60	0÷60	2,1	400/3~/50	3330	870	1045	1230	1340	2190	2185	370						
	654/1200	10÷60	0÷60	2,1	400/3~/50	2930	870	1045	1230	1340	2025	1965	370						
Q670	654/2000	35	0÷60	1,5	400/3~/50	4530	870	1170	1340	-	-		270						
	654/1800	35	0÷60	1,5	400/3~/50	4130	870	1170	1340	2530	2630		270						
	654/1600	35	0÷60	1,5	400/3~/50	3730	870	1170	1340	2360	2405		270						
	654/1400	35	0÷60	1,5	400/3~/50	3330	870	1170	1230	2190	2185		270						
	654/1200	35	0÷60	1,5	400/3~/50	2930	870	1170	1230	2025	1965		270						
Q600	584/1500	35	0÷50	0,75	400/3~/50	3485	870	1050	1250	2250	1205		190						
	584/1400	35	0÷50	0,75	400/3~/50	3285	870	1050	1250	2150	1140		190						
	584/1300	35	0÷50	0,75	400/3~/50	3085	870	1050	1250	2060	1075		190						
	584/1200	35	0÷50	0,75	400/3~/50	2885	870	1050	1250	1965	1010		190						
	584/1000	35	0÷50	0,75	400/3~/50	2485	870	1050	1250	1775	880		190						
Q500	488/1200	35	0÷40	0,55	400/3~/50	2855	850	865	1315	1960	800		160						
	488/1000	35	0÷40	0,55	400/3~/50	2455	850	865	1315	1765	720		160						
	488/900	35	0÷40	0,55	400/3~/50	2255	850	865	1315	1665	680		160						
	488/800	35	0÷40	0,55	400/3~/50	2055	850	865	1315	1565	645		160						
	488/700	35	0÷40	0,55	400/3~/50	1855	850	865	1315	1470	605		160						
Q50S	488/800	35	0÷40	0,55	400/3~/50	2055	850	865	1315	1550	775		115						
	488/700	35	0÷40	0,55	400/3~/50	1855	850	865	1315	1455	720		115						
Q50B	488/800	35	0÷40	0,55	400/3~/50	1700	165	865	630	845	785		115						
	488/700	35	0÷40	0,55	400/3~/50	1500	165	865	630	750	785		115						