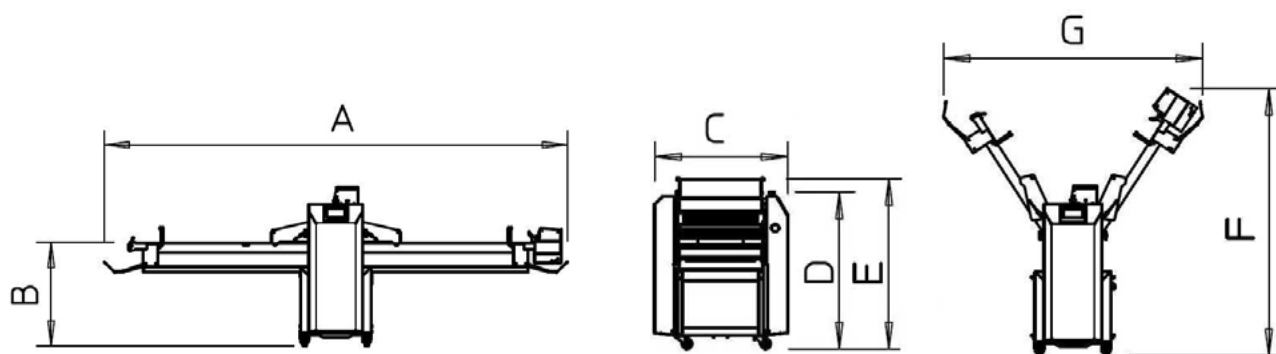


SEMI-AUTOMATIC SHEETERS

QUEEN S600



- Heavy duty steel stove painted structure (optional INOX)
- Standard colour: grey RAL 9007
- The smallest semiautomatic dough sheeter of the QUEEN's family presents a very easy and user friendly setting (the same used in QUEEN MAN TRONIC sheeters)
- Mechanics as much easy but, at the same time, very reliable and without maintenance
- The hands balancer and the comfortable pedals offer the possibility to invert the belts direction in a very fast and practical way
- At belt direction inversion the gearmotor change the opening and closing of the cylinders following the program (recipe) memorized on the touch screen
- The defined lines and the compact dimensions furthermore, allow to put this machine inside a laboratory where normally there would be space just for a manual dough sheeter.
- Optional: automatic flour duster and coiler



| | Belts dimensions | Speed | Cylinder opening | Power | Voltage | Dimensions | | | | | | | Weight | | | | | | |
|-------------------------------------|------------------|--------------|------------------|-------------|------------------|-------------|------------|-------------|-------------|-------------|-------------|-------------|------------|---|---|---|---|----|---|
| | | | | | | mm | m/min. | mm | kW | V~/Hz | mm | | | | | | | Kg | |
| | | | | | | | | | | | A | B | | C | D | E | F | | G |
| TRONIC PLUS TRONIC MAN TRONIC | 654/2000 | 10÷60 | 0÷60 | 2,1 | 400/3~/50 | 4530 | 870 | 1045 | 1230 | 1340 | - | - | 370 | | | | | | |
| | 654/1800 | 10÷60 | 0÷60 | 2,1 | 400/3~/50 | 4130 | 870 | 1045 | 1230 | 1340 | - | - | 370 | | | | | | |
| | 654/1600 | 10÷60 | 0÷60 | 2,1 | 400/3~/50 | 3730 | 870 | 1045 | 1230 | 1340 | - | - | 370 | | | | | | |
| | 654/1400 | 10÷60 | 0÷60 | 2,1 | 400/3~/50 | 3330 | 870 | 1045 | 1230 | 1340 | 2190 | 2185 | 370 | | | | | | |
| | 654/1200 | 10÷60 | 0÷60 | 2,1 | 400/3~/50 | 2930 | 870 | 1045 | 1230 | 1340 | 2025 | 1965 | 370 | | | | | | |
| QA600 QS600 | 584/1500 | 10÷45 | 0÷50 | 0,75 | 400/3~/50 | 3485 | 870 | 1015 | 1345 | 1445 | 2430 | 1355 | 220 | | | | | | |
| | 584/1400 | 10÷45 | 0÷50 | 0,75 | 400/3~/50 | 3285 | 870 | 1015 | 1345 | 1445 | 2335 | 1290 | 220 | | | | | | |
| | 584/1300 | 10÷45 | 0÷50 | 0,75 | 400/3~/50 | 3085 | 870 | 1015 | 1345 | 1445 | 2245 | 1225 | 220 | | | | | | |
| | 584/1200 | 10÷45 | 0÷50 | 0,75 | 400/3~/50 | 2885 | 870 | 1015 | 1345 | 1445 | 2150 | 1160 | 220 | | | | | | |
| | 584/1000 | 10÷45 | 0÷50 | 0,75 | 400/3~/50 | 2485 | 870 | 1015 | 1345 | 1445 | 1960 | 1030 | 220 | | | | | | |
| Q670 | 654/2000 | 35 | 0÷60 | 1,5 | 400/3~/50 | 4530 | 870 | 1170 | 1340 | - | - | 270 | | | | | | | |
| | 654/1800 | 35 | 0÷60 | 1,5 | 400/3~/50 | 4130 | 870 | 1170 | 1340 | 2530 | 2630 | 270 | | | | | | | |
| | 654/1600 | 35 | 0÷60 | 1,5 | 400/3~/50 | 3730 | 870 | 1170 | 1340 | 2360 | 2405 | 270 | | | | | | | |
| | 654/1400 | 35 | 0÷60 | 1,5 | 400/3~/50 | 3330 | 870 | 1170 | 1230 | 2190 | 2185 | 270 | | | | | | | |
| | 654/1200 | 35 | 0÷60 | 1,5 | 400/3~/50 | 2930 | 870 | 1170 | 1230 | 2025 | 1965 | 270 | | | | | | | |
| Q600 | 584/1500 | 35 | 0÷50 | 0,75 | 400/3~/50 | 3485 | 870 | 1050 | 1250 | 2250 | 1205 | 190 | | | | | | | |
| | 584/1400 | 35 | 0÷50 | 0,75 | 400/3~/50 | 3285 | 870 | 1050 | 1250 | 2150 | 1140 | 190 | | | | | | | |
| | 584/1300 | 35 | 0÷50 | 0,75 | 400/3~/50 | 3085 | 870 | 1050 | 1250 | 2060 | 1075 | 190 | | | | | | | |
| | 584/1200 | 35 | 0÷50 | 0,75 | 400/3~/50 | 2885 | 870 | 1050 | 1250 | 1965 | 1010 | 190 | | | | | | | |
| | 584/1000 | 35 | 0÷50 | 0,75 | 400/3~/50 | 2485 | 870 | 1050 | 1250 | 1775 | 880 | 190 | | | | | | | |
| Q500 | 488/1200 | 35 | 0÷40 | 0,55 | 400/3~/50 | 2855 | 850 | 865 | 1315 | 1960 | 800 | 160 | | | | | | | |
| | 488/1000 | 35 | 0÷40 | 0,55 | 400/3~/50 | 2455 | 850 | 865 | 1315 | 1765 | 720 | 160 | | | | | | | |
| | 488/900 | 35 | 0÷40 | 0,55 | 400/3~/50 | 2255 | 850 | 865 | 1315 | 1665 | 680 | 160 | | | | | | | |
| | 488/800 | 35 | 0÷40 | 0,55 | 400/3~/50 | 2055 | 850 | 865 | 1315 | 1565 | 645 | 160 | | | | | | | |
| | 488/700 | 35 | 0÷40 | 0,55 | 400/3~/50 | 1855 | 850 | 865 | 1315 | 1470 | 605 | 160 | | | | | | | |
| Q50S | 488/800 | 35 | 0÷40 | 0,55 | 400/3~/50 | 2055 | 850 | 865 | 1315 | 1550 | 775 | 115 | | | | | | | |
| | 488/700 | 35 | 0÷40 | 0,55 | 400/3~/50 | 1855 | 850 | 865 | 1315 | 1455 | 720 | 115 | | | | | | | |
| Q50B | 488/800 | 35 | 0÷40 | 0,55 | 400/3~/50 | 1700 | 165 | 865 | 630 | 845 | 785 | 115 | | | | | | | |
| | 488/700 | 35 | 0÷40 | 0,55 | 400/3~/50 | 1500 | 165 | 865 | 630 | 750 | 785 | 115 | | | | | | | |