

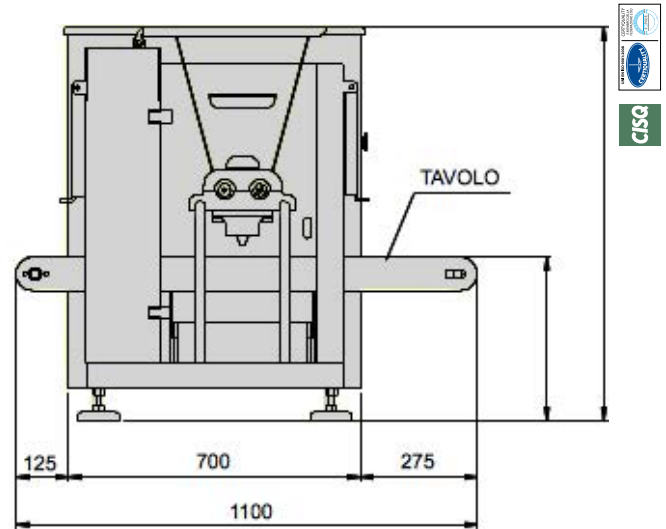
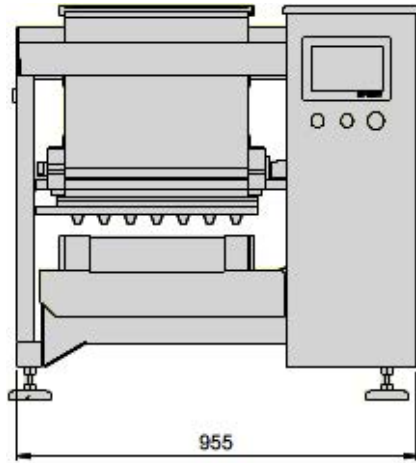
MULTIDROP JUNIOR



Multidrop is a multi-purpose depositor machine. Computer touch screen is suitable to create a huge range of biscuits, butter cookies, shortbread, lady fingers, genoise puff creams, and many other products.

All machines are equipped with:

- S/s frame; compact dimensions
- Easily detachable table
- Hard dough head hdd with stainless steel rollers, aluminum built-in head shoulders and plastic bushes
- Head easy to disassemble and wash
- Hard dough head (40/46) including removable adaptors for soft dough
- Touch screen control, with capacitive graphic colour display tft 7" 800x480 pixel
- CE compliance certificate



	Trays size		Hopper capacity	Strokes		Tension	Power	Weight
	Width	Max. Length		Depositor	Wire cut			
	mm	mm	l	n°/min.	n°/min.	Volt	kW	Kg
JUNIOR 4046	400-460	700	35	20	30	400/3N~/50	1,3	200

Max strokes/min. related to average 1 sec. rollers head rotation