

MULTIDROP LAB FAST

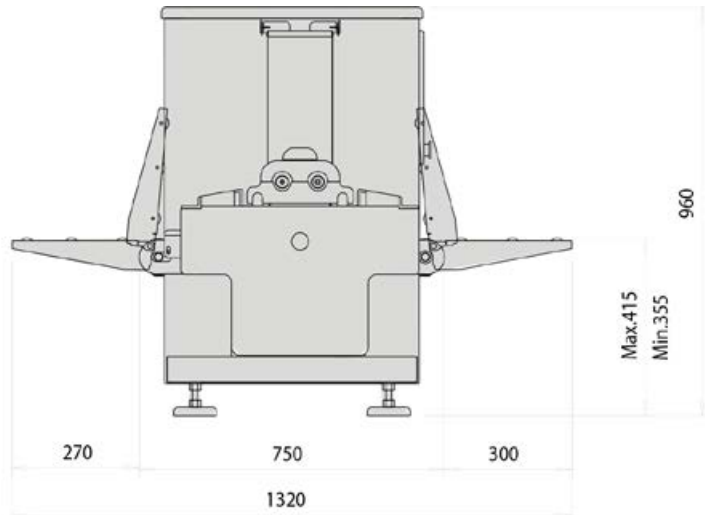
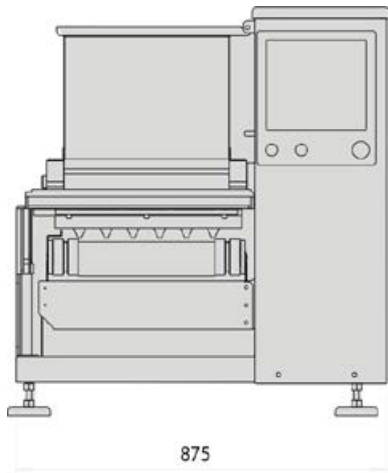


Multidrop is a multi-purpose depositor machine.

The 100 programs computer is suitable to create a huge range of biscuits, butter cookies, shortbread, lady fingers, puff creams, and many other products.

All machines are equipped with:

- S/s frame; compact dimensions; easy handling in small spaces
- Easily detachable table and foldable
- Hard dough head 40 hdd with stainless steel rollers only, aluminum built-in head shoulders and plastic bushes
- Head easy to disassemble and wash
- Touch screen control, with capacitive graphic colour display tft 7" 800x480 pixel
- CE compliance certificate



	Trays size		Hopper capacity	Strokes		Tension	Power	Weight
	Width	Max. Length		Depositor	Wire cut			
	mm	mm	l	n°/min.	n°/min.	Volt	kW	Kg
LAB FAST 40	400	600	18	20	-	400/3N~/50	1,02	160

Max strokes/min. related to average 1 sec. rollers head rotation