

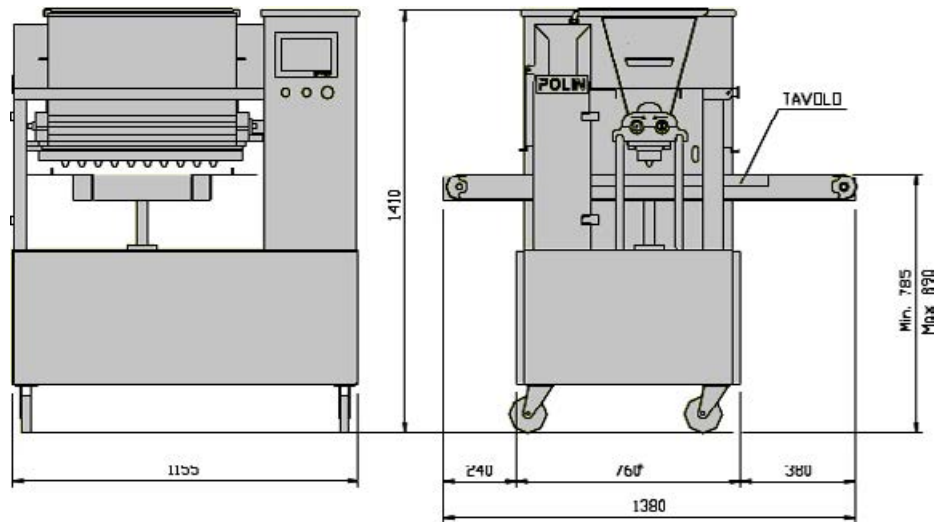
# MULTIDROP TIPO C



Multidrop is a multi-purpose depositor machine. Computer touch screen is suitable to create a huge range of biscuits, butter cookies, shortbread, lady fingers, genoise puff creams, and many other products.

All machines are equipped with:

- S/s frame and brake castors
- Easily detachable table
- Hard dough head hdd with stainless steel rollers, aluminum built-in head shoulders and plastic bushes (Only for mtr/fcc e mtr/fcp)
- Soft dough head (only for mtr/fcm)
- Head easy to disassemble and wash
- Hard and soft dough heads are allowed to be fitted according with different kinds of products
- Touch screen computer with capacitive graphic colour display tft 7" 800x480 pixel
- CE compliance certificate



	Trays size		Hopper capacity	Strokes		Tension	Power	Weight
	Width	Max. Length		Depositor	Wire cut			
	mm	mm	l	n°/min.	n°/min.	Volt	kW	Kg
<b>TIPO C 4046</b>	400-460	800	35	25	32	400/3N~/50	0,6	210
<b>TIPO C 6066</b>	600-660	800	50	25	32	400/3N~/50	0,6	210

Max strokes/min. related to average 1 sec. rollers head rotation