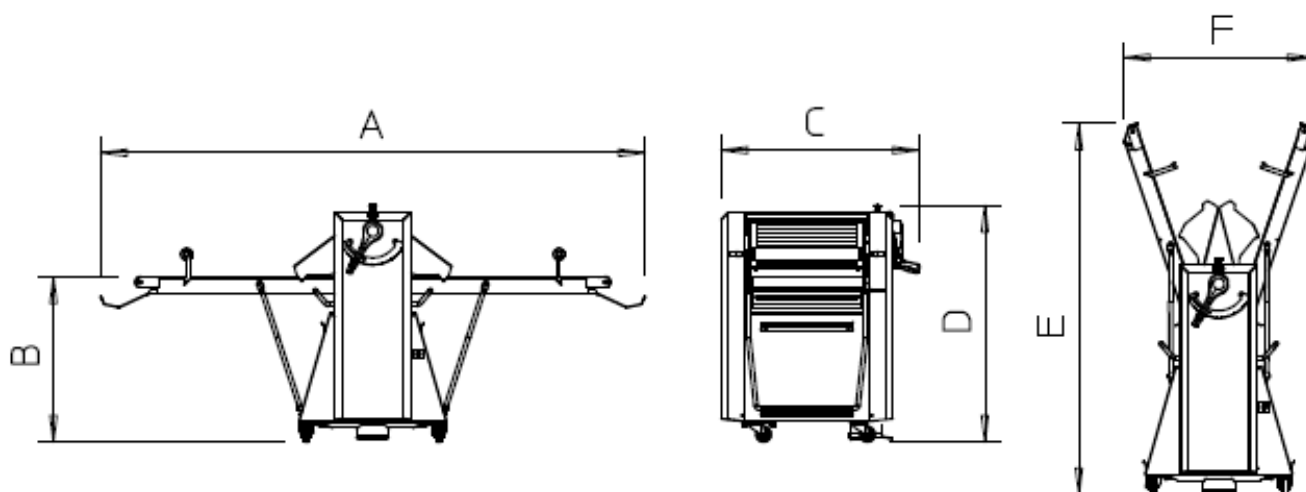


# MANUAL SHEETER QUEEN 500



- Heavy duty steel stove painted structure
- Standard colour: grey RAL 9006
- Safety protection grids
- Under tables and collection flour tray made in stainless steel AISI 304 are standard
- The frontal and back covers are assembled on the machine structure from the top and screwed in order to avoid the possibility that the flour enter inside the machine and damage the transmission
- Belts inversion easy and fast made by comfortable Joystick control placed on the head of the machine or through comfortable foot control always standard
- Foldable tables to optimize the occupation space when machine is not in use



	Belts dimensions	Speed	Cylinder opening	Power	Voltage	Dimensions							Weight						
						mm	m/min.	mm	kW	V~/Hz	mm							Kg	
											A	B		C	D	E	F		G
<b>TRONIC PLUS TRONIC MAN TRONIC</b>	654/1800	10÷60	0÷60	2,1	400/3~/50	4130	870	1045	1230	1340	2530	2630	370						
	654/1600	10÷60	0÷60	2,1	400/3~/50	3730	870	1045	1230	1340	2360	2405	370						
	654/1400	10÷60	0÷60	2,1	400/3~/50	3330	870	1045	1230	1340	2190	2185	370						
	654/1200	10÷60	0÷60	2,1	400/3~/50	2930	870	1045	1230	1340	2025	1965	370						
<b>QA600 QS600</b>	584/1500	10÷35	0÷50	0,75	400/3~/50	3485	870	1015	1345	1445	2430	1355	220						
	584/1400	10÷35	0÷50	0,75	400/3~/50	3285	870	1015	1345	1445	2335	1290	220						
	584/1300	10÷35	0÷50	0,75	400/3~/50	3085	870	1015	1345	1445	2245	1225	220						
	584/1200	10÷35	0÷50	0,75	400/3~/50	2885	870	1015	1345	1445	2150	1160	220						
	584/1000	10÷35	0÷50	0,75	400/3~/50	2485	870	1015	1345	1445	1960	1030	220						
<b>Q670</b>	654/1800	35	0÷60	1,5	400/3~/50	4130	870	1170	1340	-	2530	2630	270						
	654/1600	35	0÷60	1,5	400/3~/50	3730	870	1170	1340	-	2360	2405	270						
	654/1400	35	0÷60	1,5	400/3~/50	3330	870	1170	1230	-	2190	2185	270						
	654/1200	35	0÷60	1,5	400/3~/50	2930	870	1170	1230	-	2025	1965	270						
<b>Q600</b>	584/1500	35	0÷50	0,75	400/3~/50	3485	870	1050	1250	-	2250	1205	190						
	584/1400	35	0÷50	0,75	400/3~/50	3285	870	1050	1250	-	2150	1140	190						
	584/1300	35	0÷50	0,75	400/3~/50	3085	870	1050	1250	-	2060	1075	190						
	584/1200	35	0÷50	0,75	400/3~/50	2885	870	1050	1250	-	1965	1010	190						
	584/1000	35	0÷50	0,75	400/3~/50	2485	870	1050	1250	-	1775	880	190						
<b>Q500</b>	<b>488/1200</b>	<b>35</b>	<b>0÷40</b>	<b>0,55</b>	<b>400/3~/50</b>	<b>2885</b>	<b>870</b>	<b>865</b>	<b>1315</b>	-	<b>1960</b>	<b>800</b>	<b>160</b>						
	<b>488/1000</b>	<b>35</b>	<b>0÷40</b>	<b>0,55</b>	<b>400/3~/50</b>	<b>2455</b>	<b>870</b>	<b>865</b>	<b>1315</b>	-	<b>1765</b>	<b>720</b>	<b>160</b>						
	<b>488/900</b>	<b>35</b>	<b>0÷40</b>	<b>0,55</b>	<b>400/3~/50</b>	<b>2255</b>	<b>870</b>	<b>865</b>	<b>1315</b>	-	<b>1665</b>	<b>680</b>	<b>160</b>						
	<b>488/800</b>	<b>35</b>	<b>0÷40</b>	<b>0,55</b>	<b>400/3~/50</b>	<b>2055</b>	<b>870</b>	<b>865</b>	<b>1315</b>	-	<b>1565</b>	<b>645</b>	<b>160</b>						
	<b>488/700</b>	<b>35</b>	<b>0÷40</b>	<b>0,55</b>	<b>400/3~/50</b>	<b>1855</b>	<b>870</b>	<b>865</b>	<b>1315</b>	-	<b>1470</b>	<b>605</b>	<b>160</b>						
<b>Q50S</b>	488/800	35	0÷40	0,55	400/3~/50	2055	870	865	1315	-	1550	775	115						
	488/700	35	0÷40	0,55	400/3~/50	1855	870	865	1315	-	1455	720	115						
<b>Q50B</b>	488/800	35	0÷40	0,55	400/3~/50	1700	870	865	630	-	845	785	115						
	488/700	35	0÷40	0,55	400/3~/50	1500	870	865	630	-	750	785	115						