

# AUTOMATIC SHEETERS TRONIC PLUS

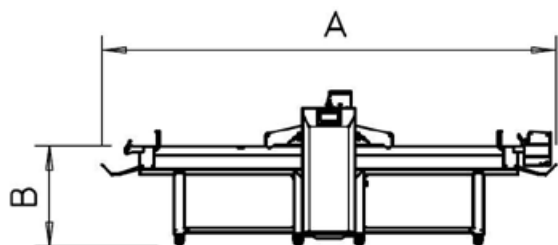


This is the evolution of the sister QUEEN TRONIC but add:

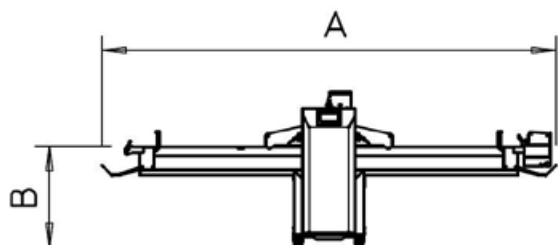
- Completely stainless steel structure AISI 304
- Automatic coiler
- Automatic flour duster

More features:

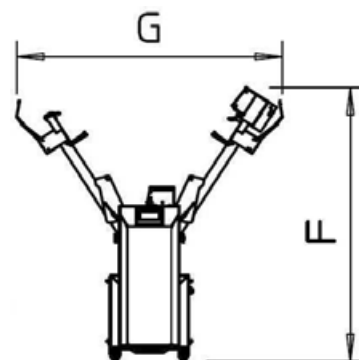
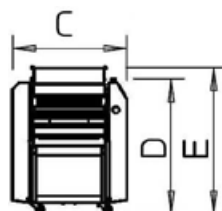
- Support tables structure made in stainless steel AISI 304 standard with tables length 1600 and 1800 mm mounted on castors
- Very fast opening and closing cylinders system implemented through two screws in bain of oil connected each other with a toothed belt
- 7" color touch screen, user friendly and intuitive to programming that allow to memorize till 100 recipes easily re-called
- Strong cylinders with diameter of 80 mm



TRONIC PLUS 1600 - 1800



TRONIC PLUS 1200 - 1400



	Belts dimensions	Speed	Cylinder opening	Power	Voltage	Dimensions							Weight	
						mm								Kg
						A	B	C	D	E	F	G		
TRONIC PLUS TRONIC MAN TRONIC	654/1800	10÷60	0÷60	2,1	400/3~/50	4130	870	1045	1230	1340	2530	2630	370	
	654/1600	10÷60	0÷60	2,1	400/3~/50	3730	870	1045	1230	1340	2360	2405	370	
	654/1400	10÷60	0÷60	2,1	400/3~/50	3330	870	1045	1230	1340	2190	2185	370	
	654/1200	10÷60	0÷60	2,1	400/3~/50	2930	870	1045	1230	1340	2025	1965	370	
QA600 QS600	584/1500	10÷35	0÷50	0,75	400/3~/50	3485	870	1015	1345	1445	2430	1355	220	
	584/1400	10÷35	0÷50	0,75	400/3~/50	3285	870	1015	1345	1445	2335	1290	220	
	584/1300	10÷35	0÷50	0,75	400/3~/50	3085	870	1015	1345	1445	2245	1225	220	
	584/1200	10÷35	0÷50	0,75	400/3~/50	2885	870	1015	1345	1445	2150	1160	220	
	584/1000	10÷35	0÷50	0,75	400/3~/50	2485	870	1015	1345	1445	1960	1030	220	
Q670	654/1800	35	0÷60	1,5	400/3~/50	4130	870	1170	1340	-	2530	2630	270	
	654/1600	35	0÷60	1,5	400/3~/50	3730	870	1170	1340	-	2360	2405	270	
	654/1400	35	0÷60	1,5	400/3~/50	3330	870	1170	1230	-	2190	2185	270	
	654/1200	35	0÷60	1,5	400/3~/50	2930	870	1170	1230	-	2025	1965	270	
Q600	584/1500	35	0÷50	0,75	400/3~/50	3485	870	1050	1250	-	2250	1205	190	
	584/1400	35	0÷50	0,75	400/3~/50	3285	870	1050	1250	-	2150	1140	190	
	584/1300	35	0÷50	0,75	400/3~/50	3085	870	1050	1250	-	2060	1075	190	
	584/1200	35	0÷50	0,75	400/3~/50	2885	870	1050	1250	-	1965	1010	190	
	584/1000	35	0÷50	0,75	400/3~/50	2485	870	1050	1250	-	1775	880	190	
Q500	488/1200	35	0÷40	0,55	400/3~/50	2885	870	865	1315	-	1960	800	160	
	488/1000	35	0÷40	0,55	400/3~/50	2455	870	865	1315	-	1765	720	160	
	488/900	35	0÷40	0,55	400/3~/50	2255	870	865	1315	-	1665	680	160	
	488/800	35	0÷40	0,55	400/3~/50	2055	870	865	1315	-	1565	645	160	
	488/700	35	0÷40	0,55	400/3~/50	1855	870	865	1315	-	1470	605	160	
Q50S	488/800	35	0÷40	0,55	400/3~/50	2055	870	865	1315	-	1550	775	115	
	488/700	35	0÷40	0,55	400/3~/50	1855	870	865	1315	-	1455	720	115	
Q50B	488/800	35	0÷40	0,55	400/3~/50	1700	870	865	630	-	845	785	115	
	488/700	35	0÷40	0,55	400/3~/50	1500	870	865	630	-	750	785	115	