

AUTOMATIC SHEETERS TRONIC



- Heavy duty steel stove painted structure (optional inox)

Standard colour: grey RAL 9006

- Noiseless and reliable transmission made with trapezoidal and toothed belts

- Very fast opening and closing cylinders system implemented through two screws in bain of oil connected each other with a toothed belt that ensure the maximum precision also after a lot of years of utilization

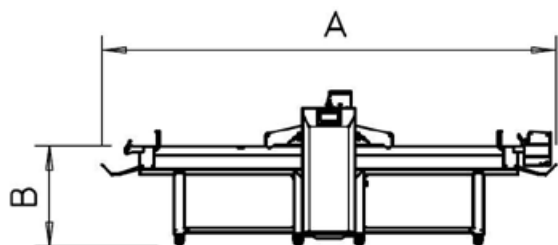
- Frontal and back covers made in steel stove painted (no plastic parts) assembled from the top and fixed with screws avoid that the flour enter inside the mechanical parts of the machine and damage them

- Safety protections made in stainless steel AISI 304 with gas piston that help the opening

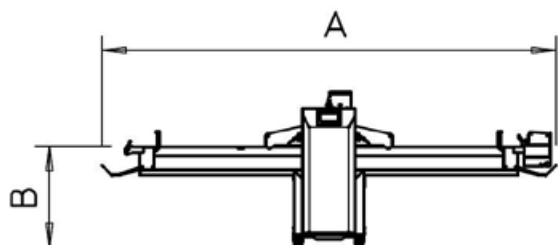
- Support tables structure made in stainless steel AISI 304 standard with tables length 1600 and 1800 mm mounted on castors

- Belts speed adjustable with inverter through the wide 7" color touch screen, user friendly and intuitive to programming that allow to memorize till 100 recipes easily re-called

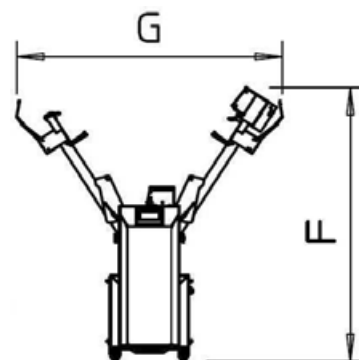
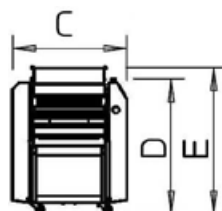
- Optional: automatic flour duster and coiler



TRONIC 1600 - 1800



TRONIC 1200 - 1400



	Belts dimensions	Speed	Cylinder opening	Power	Voltage	Dimensions							Weight	
						mm								Kg
						A	B	C	D	E	F	G		
TRONIC PLUS TRONIC MAN TRONIC	654/1800	10÷60	0÷60	2,1	400/3~/50	4130	870	1045	1230	1340	2530	2630	370	
	654/1600	10÷60	0÷60	2,1	400/3~/50	3730	870	1045	1230	1340	2360	2405	370	
	654/1400	10÷60	0÷60	2,1	400/3~/50	3330	870	1045	1230	1340	2190	2185	370	
	654/1200	10÷60	0÷60	2,1	400/3~/50	2930	870	1045	1230	1340	2025	1965	370	
QA600 QS600	584/1500	10÷35	0÷50	0,75	400/3~/50	3485	870	1015	1345	1445	2430	1355	220	
	584/1400	10÷35	0÷50	0,75	400/3~/50	3285	870	1015	1345	1445	2335	1290	220	
	584/1300	10÷35	0÷50	0,75	400/3~/50	3085	870	1015	1345	1445	2245	1225	220	
	584/1200	10÷35	0÷50	0,75	400/3~/50	2885	870	1015	1345	1445	2150	1160	220	
	584/1000	10÷35	0÷50	0,75	400/3~/50	2485	870	1015	1345	1445	1960	1030	220	
Q670	654/1800	35	0÷60	1,5	400/3~/50	4130	870	1170	1340	-	2530	2630	270	
	654/1600	35	0÷60	1,5	400/3~/50	3730	870	1170	1340	-	2360	2405	270	
	654/1400	35	0÷60	1,5	400/3~/50	3330	870	1170	1230	-	2190	2185	270	
	654/1200	35	0÷60	1,5	400/3~/50	2930	870	1170	1230	-	2025	1965	270	
Q600	584/1500	35	0÷50	0,75	400/3~/50	3485	870	1050	1250	-	2250	1205	190	
	584/1400	35	0÷50	0,75	400/3~/50	3285	870	1050	1250	-	2150	1140	190	
	584/1300	35	0÷50	0,75	400/3~/50	3085	870	1050	1250	-	2060	1075	190	
	584/1200	35	0÷50	0,75	400/3~/50	2885	870	1050	1250	-	1965	1010	190	
	584/1000	35	0÷50	0,75	400/3~/50	2485	870	1050	1250	-	1775	880	190	
Q500	488/1200	35	0÷40	0,55	400/3~/50	2885	870	865	1315	-	1960	800	160	
	488/1000	35	0÷40	0,55	400/3~/50	2455	870	865	1315	-	1765	720	160	
	488/900	35	0÷40	0,55	400/3~/50	2255	870	865	1315	-	1665	680	160	
	488/800	35	0÷40	0,55	400/3~/50	2055	870	865	1315	-	1565	645	160	
	488/700	35	0÷40	0,55	400/3~/50	1855	870	865	1315	-	1470	605	160	
Q50S	488/800	35	0÷40	0,55	400/3~/50	2055	870	865	1315	-	1550	775	115	
	488/700	35	0÷40	0,55	400/3~/50	1855	870	865	1315	-	1455	720	115	
Q50B	488/800	35	0÷40	0,55	400/3~/50	1700	870	865	630	-	845	785	115	
	488/700	35	0÷40	0,55	400/3~/50	1500	870	865	630	-	750	785	115	