

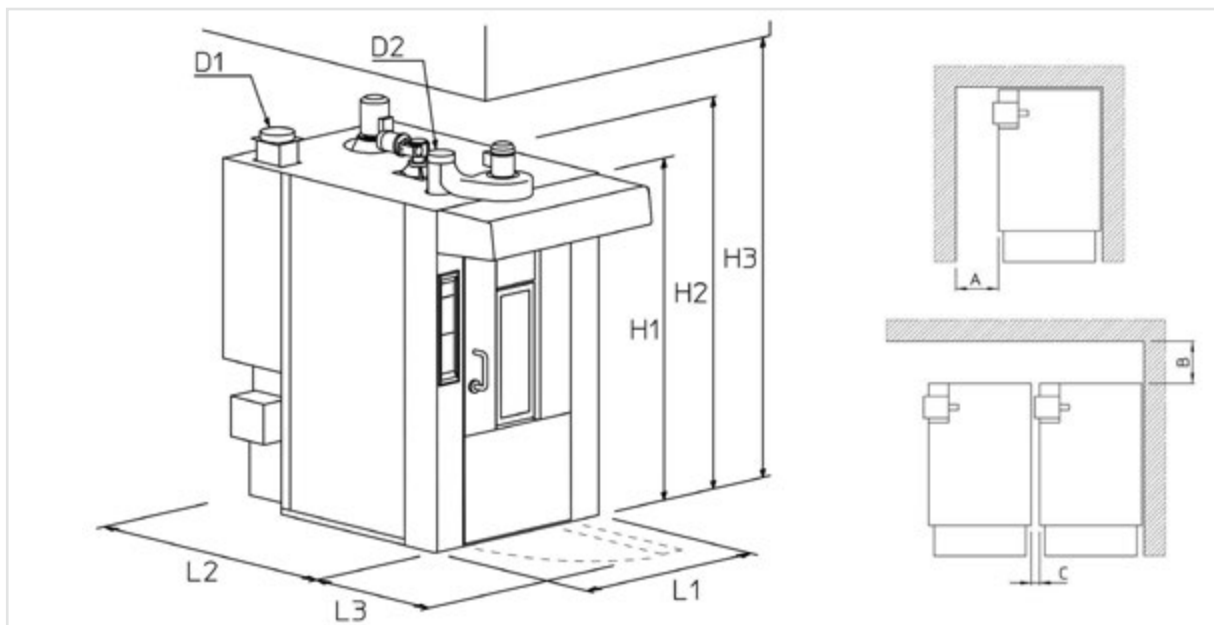
ROTO CLASSIC



- Steamers with automatic feed
- Hood with exhaust fan
- Door with double glass
- El/elements heat generator.(SE)
- Standard rotation device with hook (for ergonomic reasons it's recommended for racks up to 100 kg full load)
- Electric board with extended cables to hang it on oven's sides
- Racks height 1815 mm

POWER INLET	400V/3N~/50
FUME EXHAUST	Ø 200
STEAM EXHAUST	Ø 150 (MOD 6080) Ø 250*** (MOD 8095)

*** Minimum diameter pipe = 200 mm



	Pan capacity		Minimum door width	Weight	Voltage	SC version		SE version	
	n°	passo				kW	kcal/h	Standard	Potentiato
			mm	mm	kg	kW	kcal/h	kW	kW
ROTO CLASSIC 6080	15	105	600x800	500	1400 SC	2,0	60.000	50,4	58,5
	18	87	2x600x400		1350 SE				
ROTO CLASSIC 8095	15	105	600x990	800	1720 SC	3,0	70.000	55,3	65,8
			800x800						
	18	87	2 660x930 2 760x930		1670 SE				