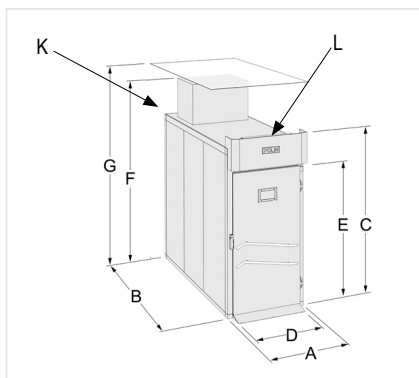


RETARDER PROVER CABINETS FRIGOCELLA INDUSTRY 4.0 AVANT



(C) 2720 mm - (F) 3100 mm - (G) 3150 mm - (E) 2000 mm

TECHNICAL SPECIFICATIONS FOR INSTALLATION

MINIMUM WIDTH = A + 50 mm / MINIMUM DEPTH = B + 100 mm
MINIMUM HEIGHT FOR INSTALLATION = PLEASE SEE BOTTOM OF THE DRAWING

K = PLACEMENT OF THE WATER OUTLET AND INLET DUCTS

WATER INLET

HEIGHT: 250 cm

SECTION: 3/4 SIMILAR TO WASHING MACHINE (THE CABINET IS SUPPLIED WITH WASHING MACHINE WATER SUPPLY HOSE)

WATER OUTLET

HEIGHT: 30 < 190 cm MAXIMUM

SECTION: DIAM. 32 (THE CABINET IS SUPPLIED WITH DRAIN HOSE, DIAM. 32)

L = PLACEMENT OF POWER SUPPLY INPUT

HEIGHT: 250 cm

SECTION: DEPENDING ON THE POWER

STRUCTURE	
<i>Panels</i>	<i>Isothermal (Insulated)</i>
<i>Insulation type</i>	<i>Poliurethane foam injected at high density</i>
<i>Insulation density</i>	<i>42 Kgs/mc</i>
<i>Insulation thickness</i>	<i>80 mm</i>
<i>Panels' connection</i>	<i>Dual action eccentric hooks</i>
<i>Inner panels' corners</i>	<i>Rounded</i>
<i>Inner panels' base corners</i>	<i>Rounded, injected in the floor</i>
<i>Inner surface</i>	<i>st/st AISI 304</i>
<i>Outer surface</i>	<i>St/st front AISI 304, lamplast side panels Polin grey</i>
<i>Ceiling outer surface</i>	<i>Lamplast panels Polin grey</i>
<i>Rack-bumper on inner perimeter</i>	<i>st/st AISI 304</i>
<i>Floor surface</i>	<i>Phenolic stratified resin</i>
<i>Floor thickness</i>	<i>45 mm</i>
HINGES	
<i>Finishing</i>	<i>Painted, with plastic cover</i>
<i>Self-lifting</i>	<i>To ease the opening and prevent seal wearing</i>
<i>Safety opening</i>	<i>Push-type</i>
CLOSING SYSTEM	
<i>Mechanism type</i>	<i>Self-closing gas piston</i>
<i>Handle type</i>	<i>Anti-bump handle in st/st AISI 304</i>
AIR DISTRIBUTION	
<i>Flow features</i>	<i>Single-direction with double aspiration circuit</i>
<i>Evaporator</i>	<i>Specific for retarder-prover</i>
<i>Evaporator covering</i>	<i>st/st AISI 316</i>
<i>Sheeting valve</i>	<i>Electronic</i>
<i>Horizontal channels</i>	<i>st/st AISI 304</i>
<i>Vertical channels</i>	<i>st/st AISI 304</i>
<i>Air speed inside the prover</i>	<i>Adjustable depending on phase and loads</i>
<i>Heating</i>	<i>INCOLOY 800 electric elements</i>
<i>Defrosting</i>	<i>INCOLOY 800 electric elements</i>

<i>CONDENSER UNIT</i>	
<i>Refrigerating fluid</i>	<i>ODP = 0 (Ozone Depletion Potential = 0)</i>
<i>Refrigerating unit position</i>	<i>On to the ceiling or remote depending on size and needs</i>
<i>Condenser</i>	<i>Super-tropical for room temperature up to 43°C</i>
<i>Condenser cooling</i>	<i>By air</i>
<i>Compressor</i>	<i>Hermetic or semi-hermetic depending on size</i>
<i>Compressor cooling</i>	<i>Through sucked gas</i>
<i>HUMIDITY UNIT</i>	
<i>Type</i>	<i>Electronic with sunken electrodes</i>
<i>Control and regulation</i>	<i>Electronic with adjustable power depending on the difference between set-point and RH</i>
<i>Relative humidity range</i>	<i>45% - 99%</i>
<i>Dehumidifying</i>	<i>With exhaust fan and/or refrigerating unit depending on local conditions</i>
<i>CONTROL PANEL</i>	
<i>Temperature sensor</i>	<i>03 type PT1000 probe for prover inside, for bakery and for inner exchanger</i>
<i>Humidity sensor</i>	<i>Electronic probe with current signal 4-20mA</i>
<i>Electric board</i>	<i>Frontal, to ease maintenance and control operations</i>
<i>Control and display system</i>	<i>Color touch-screen with exclusive software, placed at ergonomic height</i>
<i>Inner lighth</i>	<i>LED lamps</i>
<i>OPERATION AND PROGRAMS</i>	
<i>Programs</i>	<i>100 programs, of which 90 can be customised</i>
<i>Retarder-prover cycle</i>	<i>Automatic from 1 to 10 phases</i>
<i>Alarms display</i>	<i>Sound and visual alarm with displayed description and troubleshooting guide</i>
<i>Alarms log</i>	<i>Date, time and suration log on solid memory</i>
<i>Remote connections</i>	<i>Pc, Tablet, Phone (with use of BakeApp 4.0)</i>
<i>Standard power supply</i>	<i>400/3N/50</i>

TYPE	Overall width A	Overall length B	Useful width	Useful length	Number of doors	Door clearance	Roto racks capacity						Loaders capacity			Power consumption (max)	Output (-10°C/+45°C)	Number of internal units				
							4060	4666	4676	6065	6080	80100	80120	64x230 (L=170)	64x274 (L=214)				64x318 (L=258)	kW	kW	
	mm	mm	mm	mm		mm																
99x139	990	1390	760	935	1	760	2	1	1	1	1	--	--	--	--	--	3,7	1,7	1			
99x159		1590		1135			2	2	1	1	1	--	--	--	--	--						
99x179		1790		1335			2	2	1	2	1	--	--	--	--	--						
99x199		1990		1535			3	3	2	2	1	--	--	--	--	--						
99x219		2190		1735			3	3	2	2	2	--	--	--	--	--						
99x239		2390		1935			4	3	2	3	2	--	--	--	--	--						
99x259		2590		2135			4	4	2	3	2	--	--	1	--	--						
99x279		2790		2335			5	4	3	3	2	--	--	1	--	--						
99x299		2990		2535			5	5	3	3	3	--	--	1	--	--						
99x319		3190		2735			6	5	3	4	3	--	--	1	1	--						
99x339		3390		2935			6	5	3	4	3	--	--	1	1	--						
99x359		3590		3135			6	6	4	4	3	--	--	1	1	1						
119x139		1190		1390			960	935	1	960	2	1	1	1	1	--	--	--		--	--	3,7
119x159	1590		1135	3	2	2		1			1	1	--	--	--	--						
119x179	1790		1335	4	2	2		2			2	1	1	--	--	--						
119x199	1990		1535	4	3	3		2			2	1	1	--	--	--						
119x219	2190		1735	5	3	3		2			2	1	1	--	--	--						
119x239	2390		1935	6	3	3		3			3	1	1	--	--	--						
119x259	2590		2135	6	4	4		3			3	2	1	1	--	--						
119x279	2790		2335	7	4	4		3			3	2	1	1	--	--						
119x299	2990		2535	8	5	5		3			3	2	2	1	--	--						
119x319	3190		2735	8	5	5		4			4	2	2	1	1	--						
119x339	3390		2935	9	5	5		4			4	2	2	1	1	--						
119x359	3590		3135	10	6	6		4			4	3	2	1	1	1						
119x139	1190		1390	800	1230	1		800			2	2	2	1	1	--	--	--	--	--	5,4	2,9
119x159		1590	1430		3		2		2	2	1	--	--	--	--	--						
119x179		1790	1630		3		3		3	2	1	--	--	--	--	--						
119x199		1990	1830		3		3		3	2	2	--	--	--	--	--						
119x219		2190	2030		4		3		3	3	2	--	--	--	--	--						
119x239		2390	2230		4		4		4	3	2	--	--	--	--	--						
119x259		2590	2430		5		4		4	3	2	--	--	1	--	--						
119x279		2790	2630		5		5		5	3	3	--	--	1	--	--						
119x299		2990	2830		6		5		5	4	3	--	--	1	1	--						
119x319		3190	3030		6		5		5	4	3	--	--	1	1	--						
119x339		3390	3230		6		6		6	4	3	--	--	1	1	1						
119x359		3590	3430		7		6		6	5	4	--	--	1	1	1						

TYPE	Overall width A	Overall length B	Useful width	Useful length	Number of doors	Door clearance	Roto racks capacity						Loaders capacity			Power consumption (max)	Output (-10°C/+45°C)	Number of internal units							
							4060	4666	4676	6065	6080	80100	80120	64x230 (L=170)	64x274 (L=214)				64x318 (L=258)	kW	kW				
139x139	1390	1390	1160	935	1	1160	3	2	2	1	1	1	--	--	--	5,4	2,9	1							
139x159		1590		1135			4	2	2	1	1	1	--	--	--										
139x179		1790		1335			4	3	3	2	2	1	1	--	--				--						
139x199		1990		1535			5	4	4	2	2	1	1	--	--				--						
139x219		2190		1735			6	4	4	2	2	2	1	--	--				--						
139x239		2390		1935			6	5	4	3	3	2	1	--	--				--						
139x259		2590		2135			7	6	5	3	3	2	1	1	--				--						
139x279		2790		2335			8	6	6	3	3	2	1	1	--				--						
139x299		2990		2535			9	7	6	3	3	2	2	1	--				--						
139x319		3190		2735			10	8	6	4	4	3	2	1	1				--						
139x339		3390		2935			11	8	7	4	4	3	2	1	1				--						
139x359		3590		3135			11	8	8	4	4	3	2	1	1				1						
139x139		1390		1390			1000	1230	1	1000	3	2	2	1	1				1	--	--	--	5,4	2,9	1
139x159				1590				1430			4	2	2	2	2				1	1	--	--			
139x179	1790		1630	4	3	3		2			2	1	1	--	--	--									
139x199	1990		1830	5	3	3		2			2	1	1	--	--	--									
139x219	2190		2030	6	3	3		3			3	1	1	--	--	--									
139x239	2390		2230	6	4	4		3			3	2	1	--	--	--									
139x259	2590		2430	7	4	4		3			3	2	1	1	--	--									
139x279	2790		2630	8	5	5		3			3	2	2	1	--	--									
139x299	2990		2830	8	5	5		4			4	2	2	1	1	--									
139x319	3190		3030	9	5	5		4			4	2	2	1	1	--									
139x339	3390		3230	10	6	6		4			4	3	2	1	1	1									
139x359	3590		3430	10	6	6		5			5	3	2	1	1	1									
159x139	1590		1390	1160	1230	1		1200			4	3	2	1	1	1	--	--	--	5,4	2,9	1			
159x159			1590		1430						4	4	3	2	2	1	1	--	--						
159x179		1790	1630		5		4		4	2	2	1	1	--	--	--									
159x199		1990	1830		6		4		4	2	2	2	1	--	--	--									
159x219		2190	2030		7		5		4	3	3	2	1	--	--	--									
159x239		2390	2230		8		6		5	3	3	2	1	--	--	--									
159x259		2590	2430		8		6		6	3	3	2	1	1	--	--									
159x279		2790	2630		8		7		6	3	3	3	2	1	--	--									
159x299		2990	2830		10		8		6	4	4	3	2	1	1	--									
159x319		3190	3030		10		8		7	4	4	3	2	1	1	--									
159x339		3390	3230		11		8		8	4	4	3	2	1	1	1									
159x359		3590	3430		12		9		8	5	5	3	2	1	1	1									

TUNNEL

TUNNEL

TYPE	Overall width A	Overall length B	Useful width	Useful length	Number of doors	Door clearance	Roto racks capacity						Loaders capacity			Power consumption (max)	Output (-10°C/+45°C)	Number of internal units	
							4060	4666	4676	6065	6080	80100	80120	64x230 (L=170)	64x274 (L=214)				64x318 (L=258)
	mm	mm	mm	mm		mm													
179x139	1790	1390	1400	1195	2	1400	4	4	3	2	2	1	1	--	--	--	5,4	2,9	1
179x159		1590		1395			6	4	4	4	2	1	1	--	--	--			
179x179		1790		1595			6	6	4	4	3	1	1	--	--	--			
179x199		1990		1795			6	6	5	4	4	2	2	--	--	--			
179x219		2190		1995			8	6	5	6	4	2	2	--	--	--			
179x239		2390		2195			8	8	6	6	4	2	2	--	--	--			
179x259		2590		2395			10	8	6	6	5	2	2	2	--	--	10,8	5,8	2
179x279		2790		2595			10	10	8	6	6	3	3	2	--	--			
179x299		2990		2795			12	10	8	8	6	3	3	2	2	--			
179x319		3190		2995			12	10	8	8	6	3	3	2	2	--			
179x339		3390		3195			12	12	9	8	7	3	3	2	2	2			
179x359		3590		3395			14	12	10	10	8	3	3	2	2	2			
179x379		3790		3595			14	14	11	10	8	4	4	2	2	2	16,2	8,7	3
179x399		3990		3795			16	14	12	10	8	4	4	2	2	2			
179x419		4190		3995			16	14	12	10	9	4	4	2	2	2			
179x439		4390		4195			18	16	13	12	10	4	4	2	2	2			
179x459		4590		4395			18	16	13	12	10	5	5	2	2	2	21,6	11,6	4
199x139		1990		1390			1600	1195	2	1600	5	4	4	2	2	1	1	--	--
199x159	1590		1395	6	6	5		4			3	1	1	--	--	--			
199x179	1790		1595	8	6	6		4			4	1	1	--	--	--			
199x199	1990		1795	9	7	6		4			4	2	2	--	--	--			
199x219	2190		1995	10	8	7		6			4	2	2	--	--	--			
199x239	2390		2195	11	9	8		6			5	2	2	--	--	--			
199x259	2590		2395	12	9	9		6			6	2	2	2	--	--	10,8	5,8	2
199x279	2790		2595	13	11	9		6			6	3	3	2	--	--			
199x299	2990		2795	14	12	10		8			7	3	3	2	2	--			
199x319	3190		2995	15	12	11		8			7	3	3	2	2	--			
199x339	3390		3195	16	13	12		8			8	3	3	2	2	2			
199x359	3590		3395	17	14	12		10			9	3	3	2	2	2			
199x379	3790		3595	18	15	13		10			9	4	4	2	2	2	16,2	8,7	3
199x399	3990		3795	20	16	14		10			10	4	4	2	2	2			
199x419	4190		3995	20	17	15		12			10	4	4	2	2	2			
199x439	4390		4195	21	18	15		12			11	4	4	2	2	2			
199x459	4590		4395	22	18	16		12			11	5	5	2	2	2	21,6	11,6	4

TYPE	Overall width A	Overall length B	Useful width	Useful length	Number of doors	Door clearance	Roto racks capacity						Loaders capacity			Power consumption (max)	Output (-10°C/+45°C)	Number of internal units	
							4060	4666	4676	6065	6080	80100	80120	64x230 (L=170)	64x274 (L=214)				64x318 (L=258)
	mm	mm	mm	mm		mm													
219x139	2190	1390	1800	1195	2	1800	6	4	4	2	2	1	--	--	--	5,4	2,9	1	
219x159		1590		1395			8	6	4	4	4	2	2	--	--				--
219x179		1790		1595			8	6	6	4	4	2	2	--	--				--
219x199		1990		1795			9	7	6	4	4	2	2	--	--				--
219x219		2190		1995			11	8	6	6	6	2	2	--	--				--
219x239		2390		2195			12	10	8	6	6	4	2	--	--	--			
219x259		2590		2395			14	10	8	6	6	4	2	2	--	--	10,8	5,8	2
219x279		2790		2595			14	11	8	6	6	4	4	2	--	--			
219x299		2990		2795			16	13	10	8	8	4	4	2	2	--			
219x319		3190		2995			17	13	10	8	8	4	4	2	2	--	16,2	8,7	3
219x339		3390		3195			17	14	12	8	8	6	4	2	2	2			
219x359		3590		3395			19	15	12	10	10	6	4	2	2	2			
219x379		3790		3595			20	16	12	10	10	6	4	2	2	2			
219x399		3990		3795			22	17	14	10	10	6	6	2	2	2			
219x419		4190		3995			22	18	14	12	12	6	6	2	2	2	21,6	11,6	4
219x439		4390		4195			24	20	16	12	12	8	6	2	2	2			
219x459		4590		4395			25	20	16	12	12	8	6	2	2	2			
239x139	2390	1390	2000	1195	2	2000	7	5	4	2	3	2	1	--	--	5,4	2,9	1	
239x159		1590		1395			8	6	4	4	4	2	2	--	--				--
239x179		1790		1595			10	8	4	4	5	2	2	--	--				--
239x199		1990		1795			11	8	6	4	6	2	2	--	--				--
239x219		2190		1995			12	9	6	4	6	2	2	--	--				--
239x239		2390		2195			14	11	8	6	7	4	2	--	--	--	10,8	5,8	2
239x259		2590		2395			15	11	9	6	8	4	2	2	--	--			
239x279		2790		2595			16	12	9	6	9	4	4	2	--	--			
239x299		2990		2795			16	14	10	8	9	4	4	2	2	--	16,2	8,7	3
239x319		3190		2995			18	14	10	8	10	4	4	2	2	--			
239x339		3390		3195			19	16	12	8	11	6	4	2	2	2			
239x359		3590		3395			20	16	12	10	12	6	4	2	2	2			
239x379		3790		3595			22	17	12	10	12	6	4	2	2	2			
239x399		3990		3795			23	19	14	10	12	6	6	2	2	2	21,6	11,6	4
239x419		4190		3995			24	19	15	10	13	6	6	2	2	2			
239x439		4390		4195			26	22	15	12	14	8	6	2	2	2			
239x459		4590		4395			27	22	16	12	15	8	6	2	2	2			