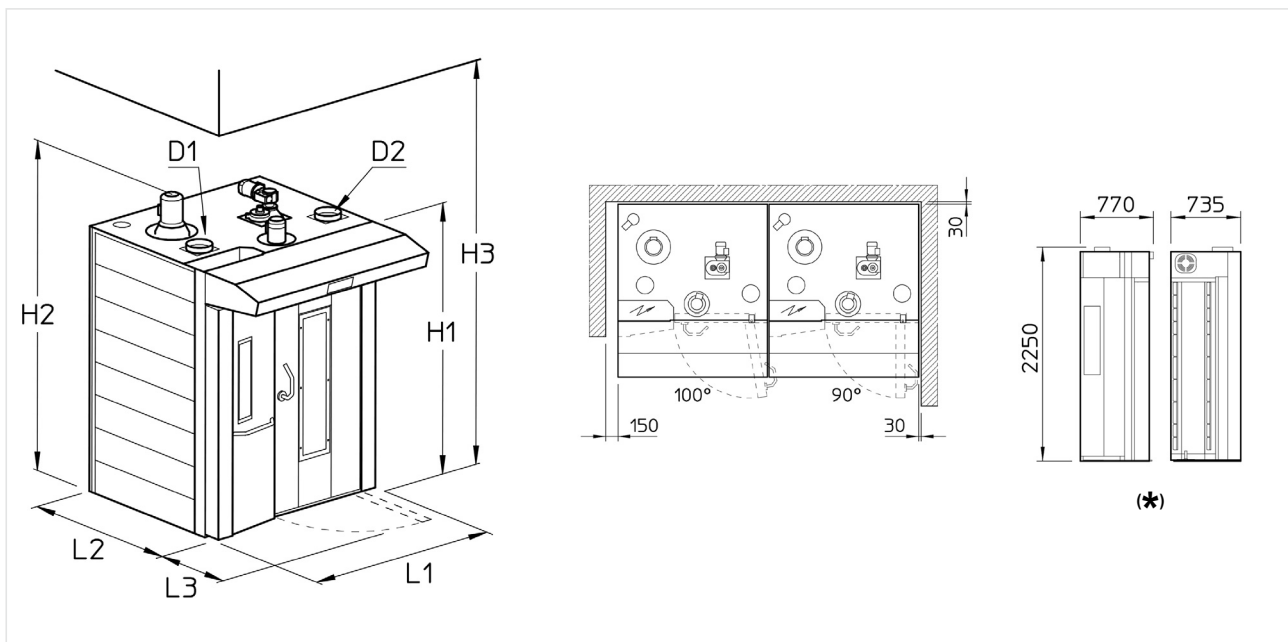


ROTOAVANT FB



- Heat generator with front access
- Integrated electric board with front access
- Only model 4676, shipped in 2 preassembled elements (installation in few hours) or completely assembled (as option)
- Model 6080 is supplied in single elements like Roto Avant or completely assembled (as option)
- Model 80100 is supplied in single elements or or fully assembled, on request in three elements
- Automatic steam exhaust system (Fast Air)
- Automatic start
- Hood with exhaust fan and grill
- Door with double low emissivity glass and double closing
- Door cooling system
- Standard rotation device with clutch and hook (due to ergonomic reasons it is recommended for racks with up to 100 kg full load)
- Heat generator with armored heating elements (SE)
- Steam generator with cascade elements with spheres
- Preset for automatic lever lifting device (as option)
- Rack height: 1815 mm for model 4676 and 1920 mm for model 6080 and 80100
- Standard st/st exterior panel

<i>Power inlet</i>	400/3N~/50
<i>Steam exhaust output</i>	Ø 200 mm
<i>Fume exhaust output</i>	Ø 150 mm (4676) Ø 200 mm (6080 - 80100)



Tipo forno Oven		L1 mm	L2 mm	L3 mm	H1 mm	H2 mm	H3 mm	Scarico fumi Fume exhaust D1 Ø mm	Scarico vapore Steam exhaust D2 Ø mm
4676	SC	1460	1390	665	2200	2525	2750	150	200
	SE							-	200
6080	SC	1836	1580	795	2300	2630	2840	200	200
	SE							-	200
80100	SC	2250	1735	1128	2400	2740	2980	200	200
	SE							-	200

	Pan capacity	Pan size passo	Minimum door width mm	Weight mm	Voltage kg	SC version		SE version	
						kW	kcal/h	kW	kW
ROTOAVANT 4676 FB	15	105	460x760	780x2260	1300	2,1	~44.740	40,8	50,5
	18	87							
ROTOAVANT 6080 FB	16	105	600x800 N° 2 600x400	500	1500	2,3	~60.000	50,8	60,5
	18	93							
ROTOAVANT 80100 FB	16	105	800x1000	580**	1950	3	~80.000	65,8	-
	18	93							

(**) 1020x2470 if it sent in blocks

