

# VOLUMETRIC DIVIDERS WITH ROTATING PISTON



Volumetric divider with vacuum system suitable to work soft or medium soft dough containing minimum 55% of water.

Dough follows a natural process without being stressed nor warmed up.

The machine is used in bakery, pastry, moreover in the production of pizza and piadine.

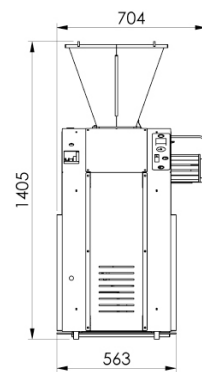
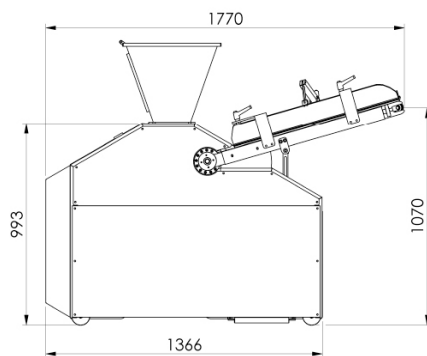
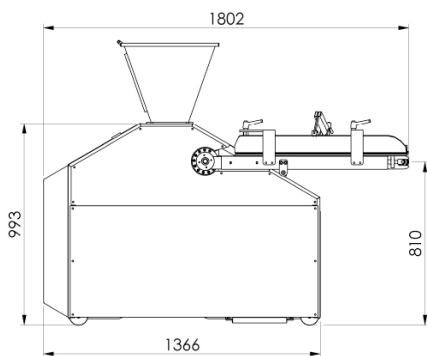
The machine is available in different models which vary one from the other for the diameter of the cylinder. That offers the possibility to choose the weight according to each own production.

Variations in production speed and weight are guaranteed by electronic controls. Outputs pcs/h: from 960 to 2700 per hour.

- Stainless steel drum
- Stainless steel hopper (standard one: 30 kg) equipped with safety device
- Conveyor belt is adjustable in height and is available in two different lengths in order to be easily combined to rounding or moulding machines for baguettes
- Lubrication of machine is guaranteed by an oil-recirculating system, a filter and a floating device
- Pieces counter with automatic stop when dough finishes
- All machines are equipped with wheels
- Power supply at 400 Volt/3ph and low voltage control device

## OPTIONALS

- Hopper: 80/120/200/300 Kg
- Stainless steel conical hopper 50/100 kg
- Teflon treatment for hopper
- Rounding system
- Moulding system for baguettes. The conveyor belt is equipped with an independent engine
- Inox carters (available also with control panel on the opposite side)
- Flour sifter with regulating device for released flour
- "Start" and "Stop" remote control
- Power supply: 230 Volt/3ph or 230 Volt/1ph



	PISTON	SIZE	PRODUCTION	WEIGHT	POWER OF PRIMARY MOTOR	POWER OF SECONDARY MOTOR	FREQUENCY
	mm	g	n°/h	kg	kW	kW	Hz
<b>SD 80</b>	80	30÷370	960÷2700	520	2,2	0,25	50/60
<b>SD 100</b>	100	50÷700	960÷2700	520	2,2	0,25	50/60
<b>SD 110</b>	110	70÷850	960÷2700	520	2,2	0,25	50/60
<b>SD 120</b>	120	90÷1000	960÷2700	520	2,2	0,25	50/60
<b>SD 130</b>	130	130÷1200	960÷2700	520	2,2	0,25	50/60
<b>SD 140</b>	140	170÷1400	960÷2700	520	2,2	0,25	50/60
<b>SD 150</b>	150	200÷1650	960÷2700	520	2,2	0,25	50/60